

**TEC**

TEC Thermal Printer

# **B-SX4T/SX5T SERIES**

## **Parts List**

Document No. **EO8-33012A**

Original **Jan., 2003**  
(Revised **Feb., 2003**)

**NOTE:**

*Model names that end with "-R" are RoHS compliant models. If "-R" is not attached, that model is non RoHS compliant.*

*Never install non RoHS compliant optional equipment or parts on a RoHS compliant machine which is supposed to be used in the countries that enforce the RoHS directive, as doing this is legally prohibited.*

**TOSHIBA TEC CORPORATION**

## TABLE OF CONTENTS

### HOW TO USE THIS PARTS LIST

#### MECHANICAL PARTS

1.	RIGHT SIDE BLOCK -----	1-1
2.	LEFT SIDE BLOCK -----	2-1
3.	SUPPLY DRIVE BLOCK -----	3-1
4.	PRINT HEAD BLOCK -----	4-1
5.	PINCH ROLLER BLOCK -----	5-1
6.	MISCELLANEOUS PARTS -----	6-1

#### OPTIONAL PARTS

30.	SWING CUTTER MODULE (B-4205-QM/B-4205-QM-R) -----	30-1
31.	ROTARY CUTTER MODULE (B-8204-QM/B-8204-QM-R) -----	31-1
32.	OTHER OPTIONAL KITS -----	32-1
33.	RFID MODULE(B-9704-RFID-U1-US/EU, B-9704-RFID-H1-QM) -----	33-1
34.	WIRELESS LAN MODULE (B-9700-WLAN-QM-R) -----	34-1

#### ELECTRONIC PARTS

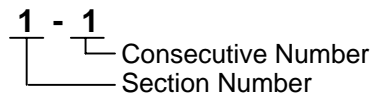
50.	MAIN PC BOARD ASS'Y -----	50-1
51.	PCMCIA PC BOARD ASS'Y -----	51-1
52.	LAN PC BOARD ASS'Y -----	52-1
53.	USB PC BOARD ASS'Y -----	53-1
54.	ROTARY CUTTER PC BOARD ASS'Y -----	54-1
55.	MAIN 2 PC BOARD ASS'Y -----	55-1
56.	MAIN 3 PC BOARD ASS'Y -----	56-1

#### **CAUTION!**

1. This manual may not be copied in whole or in part without prior written permission of TOSHIBA TEC.
2. The contents of this manual may be changed without notification.
3. Please refer to your local Authorised Service representative with regard to any queries you may have in

## HOW TO USE THIS PARTS LIST

- 1) Indication of Ref. No.



Section No	Section Name
1 ~ 29	MECHANICAL PARTS
30 ~ 49	OPTIONAL PARTS
50 ~ 69	ELECTRONIC PARTS

- 2) Remarks column indicates the following information:

- (1) Interchangeability of parts
- (2) Accessory
- (3) Service part
- (4) Date when the parts are added/deleted/changed

- 3) The columns from A through K indicate the quantity/unit for each model.  
The letters A to K represent the model names which are described in the foot note.

- 4) The recommended parts column indicates the recommendation of parts stock.

Q'ty/100 Units

Class A	-----	10
Class B	-----	7
Class C	-----	5
Class D	-----	3
Class E	-----	1

- 5) Miscellaneous parts (screws, washers, etc.) shall be ordered in minimum lots of 100.  
6) As a rule, parts not listed in this parts list cannot be ordered and we will not be responsible for problems concerning these parts.  
7) The name of the electronic parts are abbreviated as below:

Ref. No.	Real Name	Abbreviation	Ref. No.	Real Name	Abbreviation
C	Capacitor	CAP.	Q	Transistor	XISTOR.
R	Resistor	RSTR.	CN	Connector	CONN.
RA	Resistor Array	RSTR. Array	ZD	Zener Diode	Z. Diode
VR (RV)	Variable Resistor	V. RSTR			

- 8) Please locally purchase the electronic parts without part numbers after referring to the descriptions.  
9) The illustrations are provided by PDF files and attached to the list of each section. To refer to the illustrations, double-click on the PDF f  
10) RoHS-compliant parts are indicated with "R" in the RoHS column.

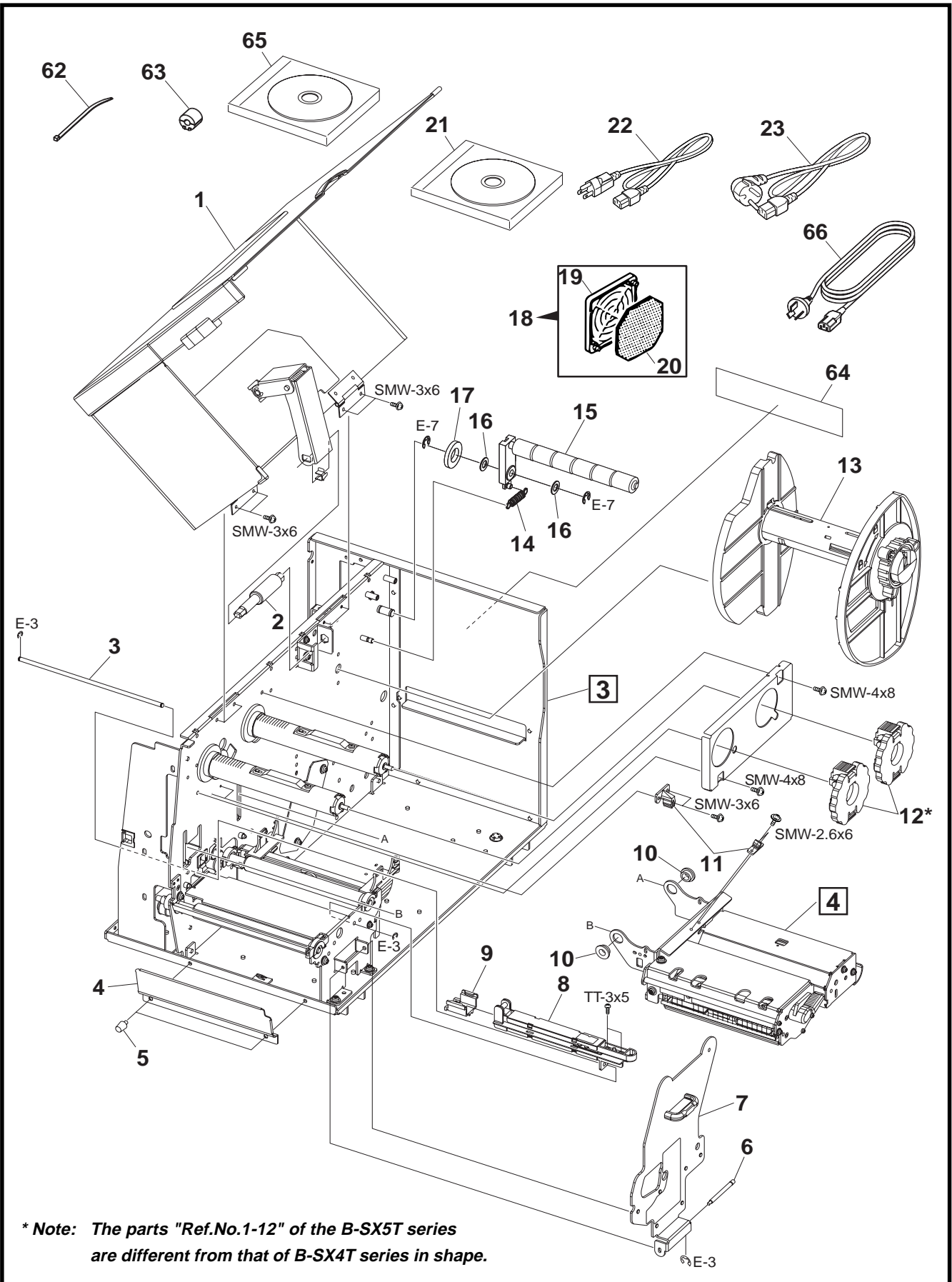
### **NOTES:**

1. The parts shown in this list may be modified by TOSHIBA TEC together with issuing the parts information, if necessary.
2. The illustrations in this parts list are provided for reference and may be different from the actual parts in shape.
3. Parts with no Ref. No. and quantity are interchangeable parts.
4. For the underlined assembly parts, the components are available separately.
5. Excepting the electronic parts, "-----" in the Part No. cell in place of a part number means that the part is an optional equipment and should be ordered from the Sales Department.

# MECHANICAL PARTS

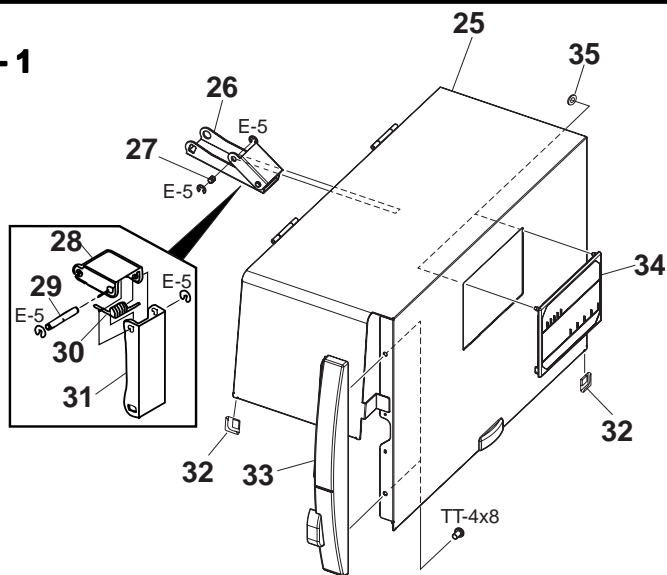
EO8-33012A  
 B-SX4T/SX5T SERIES FEB., 2003  
 (Revision Date: Mar. 1, 2005)

## 1 RIGHT SIDE BLOCK 1/2

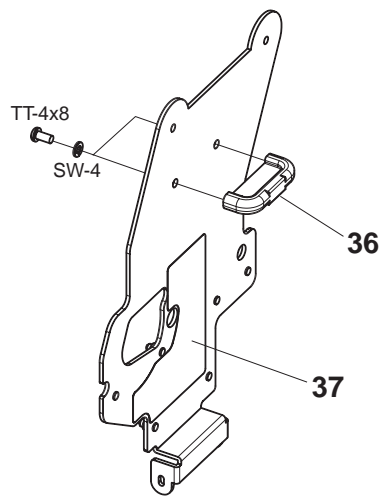


**1 RIGHT SIDE BLOCK 2/2**

**1 - 1**

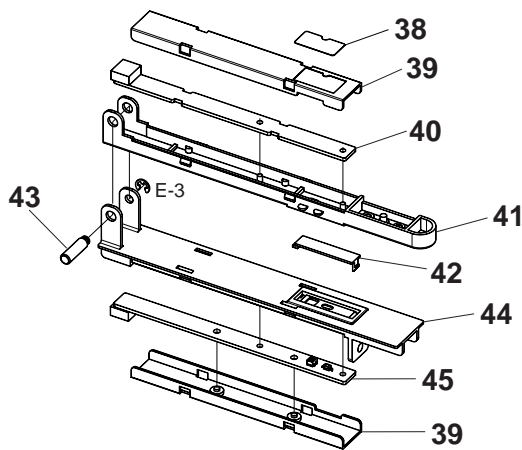


**1 - 7**

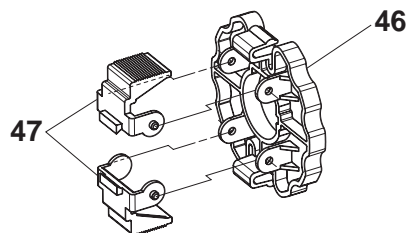


**NOTE:** 7FM00218200 (for B-SX4T-GS10/20-CN, SX5T-TS12/22) does not contain Ref. Nos. 1-26 (1-28 to 1-31) and 1-27, and E-5.

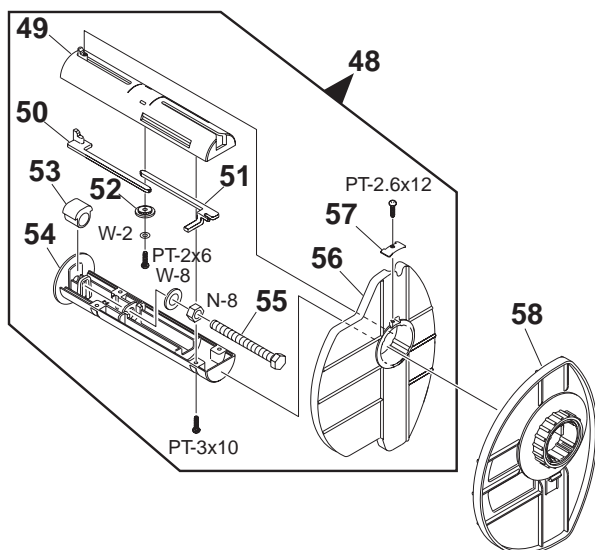
**1 - 8**



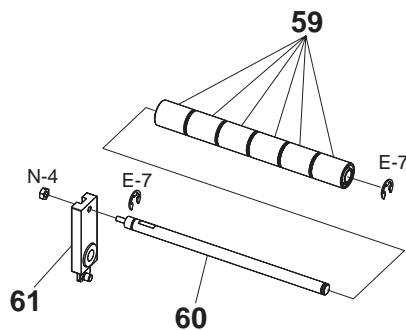
**1 - 12**



**1 - 13**



**1 - 15**



1. RIGHT SIDE BLOCK 1

EO8-33012A  
B-SX4T/SX5T SERIES FEB., 2003  
(Revision Date: Jan. 23, 2006)

Ref. No.	Part No.	Description	RoHS	Remarks	A	B	C	D	E	F	G	H	I	J	K	L	Recommended Parts
1-1	7FM00218000	Top Cover Ass'y for TEC brand model, gray			1	1	1	1	0	1	1	1	1	1	0	0	
	7FM00218100	Top Cover Ass'y for Century Systems model, dark gray		Added: 10/03	0	0	0	0	1	0	0	0	0	0	0	0	
	7FM00218200	Top Cover Ass'y (See Note2) for TEC brand model, gray		Changed:6/04	0	0	0	0	0	0	0	1	1	0	0	0	
	7FM00218300	Top Cover Ass'y for METO model, Pantone 432C		Changed:6/04	0	0	0	0	0	0	0	0	0	1	0	0	
	7FM00218400	Top Cover Ass'y for TOSHIBA brand model, cool black		Added: 2/05, GS20/TS22 model	1	1	1	1	0	1	1	1	1	0	0	0	
	7FM00218600	Top Cover Ass'y for TOSHIBA brand model, cool black		Added: 1/06	0	0	0	0	0	0	0	0	0	0	1	1	
1-2	HZC-0024001	Damper TD16A1-25K-01	R		1	1	1	1	1	1	1	1	1	1	1	1	
1-3	7FM00107000	Media Sensor Shaft			1	1	1	1	1	1	1	1	1	1	1	1	
1-4	FMEC0035704	Front Plate			1	1	1	1	1	1	1	1	1	1	0	0	
	FMEC0035705	Front Plate			0	0	0	0	0	0	0	0	0	0	1	1	
1-5	HAA-0004001	Set Screw M-4x6 (*1)			2	2	2	2	2	2	2	2	2	2	0	0	A
	7FM01618200	Set Screw M-4x6 (*1)		Added: 1/06	0	0	0	0	0	0	0	0	0	0	2	2	A
1-6	FMDB0056501	Holder Plate Shaft			1	1	1	1	1	1	1	1	1	1	1	1	
1-7	7FM00176000	Ribbon Shaft Holder Plate Ass'y			1	1	1	1	1	1	1	1	0	0	1	0	
	7FM00176100	Ribbon Shaft Holder Plate Ass'y		Added: 04/04	0	0	0	0	0	0	0	1	1	0	0	0	
	7FM00176200	Ribbon Shaft Holder Plate Ass'y		Added: 1/06	0	0	0	0	0	0	0	0	0	0	1	1	
1-8	7FM00175000	Media Sensor Ass'y			1	1	1	1	1	1	1	1	1	1	0	0	B
	7FM00175100	Media Sensor Ass'y		Added: 1/06	0	0	0	0	0	0	0	0	0	0	1	1	B
1-9	7FM00103000	Media Sensor Guide			1	1	1	1	1	1	1	1	1	1	1	1	
1-10	F0-00701000	Shaft Holder F8-23	R		2	2	2	2	2	2	2	2	2	2	2	2	
1-11	F0-00906000	Press Stud TL-161	R		1	1	1	1	1	1	1	1	1	1	1	1	
1-12	7FM00179000	Ribbon Stopper Ass'y			2	2	0	0	2	2	0	2	0	2	2	0	
	FMHC0008801	Ribbon Stopper Ass'y			0	0	2	2	0	0	2	0	2	0	0	2	
1-13	FMBD0041201	Supply Holder Ass'y			1	1	1	1	1	1	1	1	1	1	0	0	C
	FMBD0041205	Supply Holder Ass'y		Added: 1/06	0	0	0	0	0	0	0	0	0	0	1	1	C
1-14	FMQB0045501	Damper Spring			1	1	1	1	1	1	1	1	1	1	1	1	
1-15	7FM00190000	Damper Arm Ass'y			1	1	1	1	1	1	1	1	1	1	0	0	
	7FM00190100	Damper Arm Ass'y		Added: 1/06	0	0	0	0	0	0	0	0	0	0	1	1	
1-16	FMEB0092601	Damper Washer			2	2	2	2	2	2	2	2	2	2	2	2	
1-17	FMHB0021601	Damper Spacer			1	1	1	1	1	1	1	1	1	1	1	1	
1-18	FMBB0036801	FAN Filter		Accessory	1	1	1	1	1	1	1	1	1	1	1	1	
1-19	FMHB0020801	Filter Retainer		Accessory	1	1	1	1	1	1	1	1	1	1	1	1	
1-20	FMQB0039501	Filter Pad		Accessory	1	1	1	1	1	1	1	1	1	1	1	1	E
1-21	7FM00256000	CD-ROM for TEC brand model		Accessory	1	0	1	0	0	0	0	1	1	0	0	0	
	7FM00256100	CD-ROM for TEC brand model		Changed:6/04		1	1										
	7FM00332000	CD-ROM for TEC brand model		Accessory	0	4	0	4	0	1	1	0	0	0	0	0	
	7FM00332100	CD-ROM for TEC brand model		Changed:6/04		0	0										
	7FM00703000	CD-ROM for METO model		Accessory	0	0	0	0	0	0	0	0	0	1	0	0	
	7FM00256200	CD-ROM for TOSHIBA brand model		Added: 5/04													
	7FM00332200	CD-ROM for TOSHIBA brand model		Accessory, GS20/TS22 model	1	1	1	1	0	0	0	1	1	0	0	0	
	7FM00332200	CD-ROM for TOSHIBA brand model		Added: 2/05													
	7FM00332200	CD-ROM for TOSHIBA brand model		Accessory, GS20/TS22 model	0	0	0	0	0	1	1	0	0	0	0	0	
	7FM01645000	CD-ROM for RoHS compliant model		Added: 2/05													
	7FM01645000	CD-ROM for RoHS compliant model		Added: 1/06				0	0	0	0	0	0	0	1	1	

A: 4T-GS10/20-QP B: 4T-GS10/20-QQ C: 5T-TS12/22-QP D: 5T-TS12/22-QQ E: 4T-GS10-QQ-CCS F: 4T-GS10/20-QQ-US G: 5T-TS12/22-QQ-US

H: 4T-GS10/20-CN I: 5T-TS12/22-CN J: SP40II K: 4T-GS20-QM-R L: 5T-TS22-QM-R

1. RIGHT SIDE BLOCK 2

EO8-33012A  
 B-SX4T/SX5T SERIES FEB., 2003  
 (Revision Date: Jan. 23, 2006)

Ref. No.	Part No.	Description	RoHS	Remarks	A	B	C	D	E	F	G	H	I	J	K	L	Recommended Parts
1-22	FBCB0030203	Power Cord US		Accessory	0	1	0	1	1	1	1	0	0	0	0	0	D
1-23	EKA-0030004	Power Cord EU		Accessory	1	0	1	0	0	0	0	1	1	1	0	0	D
	EKA-0050001			Changed: 2/04													
1-24	7FM00258000	Firmware-FDK		Service part for B-SX4T	---	---	---	---	---	---	---	---	---	---	---	---	
	7FM00259000	Firmware-FDK		Service part for B-SX5T	---	---	---	---	---	---	---	---	---	---	---	---	
				Deleted: 10/03													
1-25	FMCD0013105	Top Cover			1	1	1	1	1	1	1	1	1	1	0	0	
	FMCD0013106	Top Cover		Added: 1/06	0	0	0	0	0	0	0	0	0	0	1	1	
1-26	FMBB0050001	Damper Link Ass'y			1	1	1	1	1	1	1	1	1	1	1	1	
1-27	FMDB0069001	Damper Shaft S			1	1	1	1	1	1	1	1	1	1	1	1	
1-28	FMEB0111501	Damper Link S			1	1	1	1	1	1	1	1	1	1	1	1	
1-29	FMDB0068901	Damper Shaft L			1	1	1	1	1	1	1	1	1	1	1	1	
1-30	FMQB0058201	Damper Spring			1	1	1	1	1	1	1	1	1	1	1	1	
1-31	FMEB0111401	Damper Link L			1	1	1	1	1	1	1	1	1	1	1	1	
1-32	FMHB0031901	Edge Guard			2	2	2	2	2	2	2	2	2	2	2	2	
1-33	7FM00106000	Front Cover for TEC brand model, gray			1	1	1	1	0	1	1	1	1	0	0	0	
	7FM00106100	Front Cover for Century Systems model, dark gray		Added: 10/03	0	0	0	0	1	0	0	0	0	0	0	0	
	7FM00106200	Front Cover for METO model, Pantone 432C		Added: 5/04	0	0	0	0	0	0	0	0	0	1	0	0	
	7FM00106300	Front Cover for TOSHIBA brand model, cool black		Added: 2/05, GS20/TS22 model	1	1	1	1	0	1	1	1	1	0	1	1	
1-34	FMHD0008901	Supply Window			1	1	1	1	1	1	1	1	1	1	1	1	
1-35	JFQB0015001	Flat Push Nut			2	2	2	2	2	2	2	2	2	2	2	2	
1-36	FMHC0009501	Ribbon Holder Knob			1	1	1	1	1	1	1	1	1	1	1	1	
1-37	7FM00205000	Head Lever Position Label			1	1	1	1	1	1	1	0	0	1	1	1	
	7FM00533000	Head Lever Position Label		Added: 04/04	0	0	0	0	0	0	0	1	1	0	0	0	
1-38	7FM00204000	Media Sensor Label			1	1	1	1	1	1	1	1	1	1	1	1	
1-39	7FM00056000	Sensor Cap			2	2	2	2	2	2	2	2	2	2	2	2	
1-40	7FM00012000	Upper Sensor (TR)			1	1	1	1	1	1	1	1	1	1	0	0	B
	7FM01485000	Upper Sensor (TR)		Added: 1/06	0	0	0	0	0	0	0	0	0	0	1	1	B
1-41	7FM00077000	Upper Sensor Holder			1	1	1	1	1	1	1	1	1	1	1	1	
1-42	7FM00052000	Sensor Cover			1	1	1	1	1	1	1	1	1	1	1	1	
1-43	7FM00042000	Fulcrum Shaft			1	1	1	1	1	1	1	1	1	1	1	1	
1-44	7FM00079000	Lower Sensor Holder			1	1	1	1	1	1	1	1	1	1	1	1	
1-45	7FM00011000	Lower Sensor (LED)			1	1	1	1	1	1	1	1	1	1	0	0	B
	7FM01486000	Lower Sensor (LED)		Aded: 1/06	0	0	0	0	0	0	0	0	0	0	1	1	B
1-46	FMHC0016901	Ribbon Flange			2	2	2	2	2	2	2	2	2	2	2	0	
1-47	FMHC0017001	Ribbon Flange Hook			4	4	4	4	4	4	4	4	4	4	4	0	
1-48	FMBD0041202	Supply Holder Sub Ass'y			1	1	1	1	1	1	1	1	1	1	0	0	
1-49	FMHD0011801	Supply Core A			1	1	1	1	1	1	1	1	1	1	1	1	
1-50	FMHC0022801	Supply Rack Gear L			1	1	1	1	1	1	1	1	1	1	1	1	D
1-51	FMHC0022902	Supply Rack Gear R			1	1	1	1	1	1	1	1	1	1	1	1	D
1-52	FMHB0031501	Supply Gear			1	1	1	1	1	1	1	1	1	1	1	1	D
1-53	FMHB0033501	Supply Core Spacer			1	1	1	1	1	1	1	1	1	1	1	1	

A: 4T-GS10/20-QP B: 4T-GS10/20-QQ C: 5T-TS12/22-QP D: 5T-TS12/22-QQ E: 4T-GS10-QQ-CCS F: 4T-GS10/20-QQ-US G: 5T-TS12/22-QQ-US

H: 4T-GS10/20-CN I: 5T-TS12/22-CN J: SP40II K: 4T-GS20-QM-R L: 5T-TS22-QM-R

1. RIGHT SIDE BLOCK 3

Ref. No.	Part No.	Description	RoHS	Remarks	A	B	C	D	E	F	G	H	I	J	K	L	Recommended Parts
1-54	FMHE0009601	Supply Core B			1	1	1	1	1	1	1	1	1	1	1	1	
1-55	X20K0880130	Hex. Bolt H-8x80			1	1	1	1	1	1	1	1	1	1	0	0	
	X0-02369000	Hex. Bolt H-8x80	R	Added: 1/06	0	0	0	0	0	0	0	0	0	0	1	1	
1-56	FMHE0009801	Supply Holder L			1	1	1	1	1	1	1	1	1	1	1	1	
1-57	FMEB0127401	Holder Lock Plate			1	1	1	1	1	1	1	1	1	1	1	1	
1-58	FMBC0085001	Supply Holder R Ass'y			1	1	1	1	1	1	1	1	1	1	1	1	
1-59	FMHB0021702	Damper Roller			6	6	6	6	6	6	6	6	6	6	6	6	
1-60	7FM00191000	Damper Shaft			1	1	1	1	1	1	1	1	1	1	1	1	
1-61	FMCB0075101	Damper Arm Sub Ass'y			1	1	1	1	1	1	1	1	1	1	1	1	
1-62	D0-04306000	Ferrite Core TFT-081813		3Txxxxxx or before	0	0	1	1	0	0	0	0	1	0	0	0	
1-63	F0-00543000	Cable Band ALT-096S T-100		3Txxxxxx or before	0	0	1	1	0	0	0	0	1	0	0	0	
1-64	FMMC0023501	Warranty Sticker for TEC brand model		Added: 04/04	0	0	0	0	0	1	1	0	0	0	0	0	
	7FM01034000	Warranty Sticker for TOSHIBA brand model		Added: 2/05, GS20/TS22 model	0	0	0	0	0	1	1	0	0	0	1	1	
1-65	7FM01065000	CD-ROM		Accessory	0	0	0	0	0	0	0	1	1	0	0	0	
				Added: 2/05													
1-66	7FM01062000	Power Cord CN		Accessory	0	0	0	0	0	0	0	1	1	0	0	0	
				Added: 2/05													

**NOTE 1: Same Parts in this Parts List**

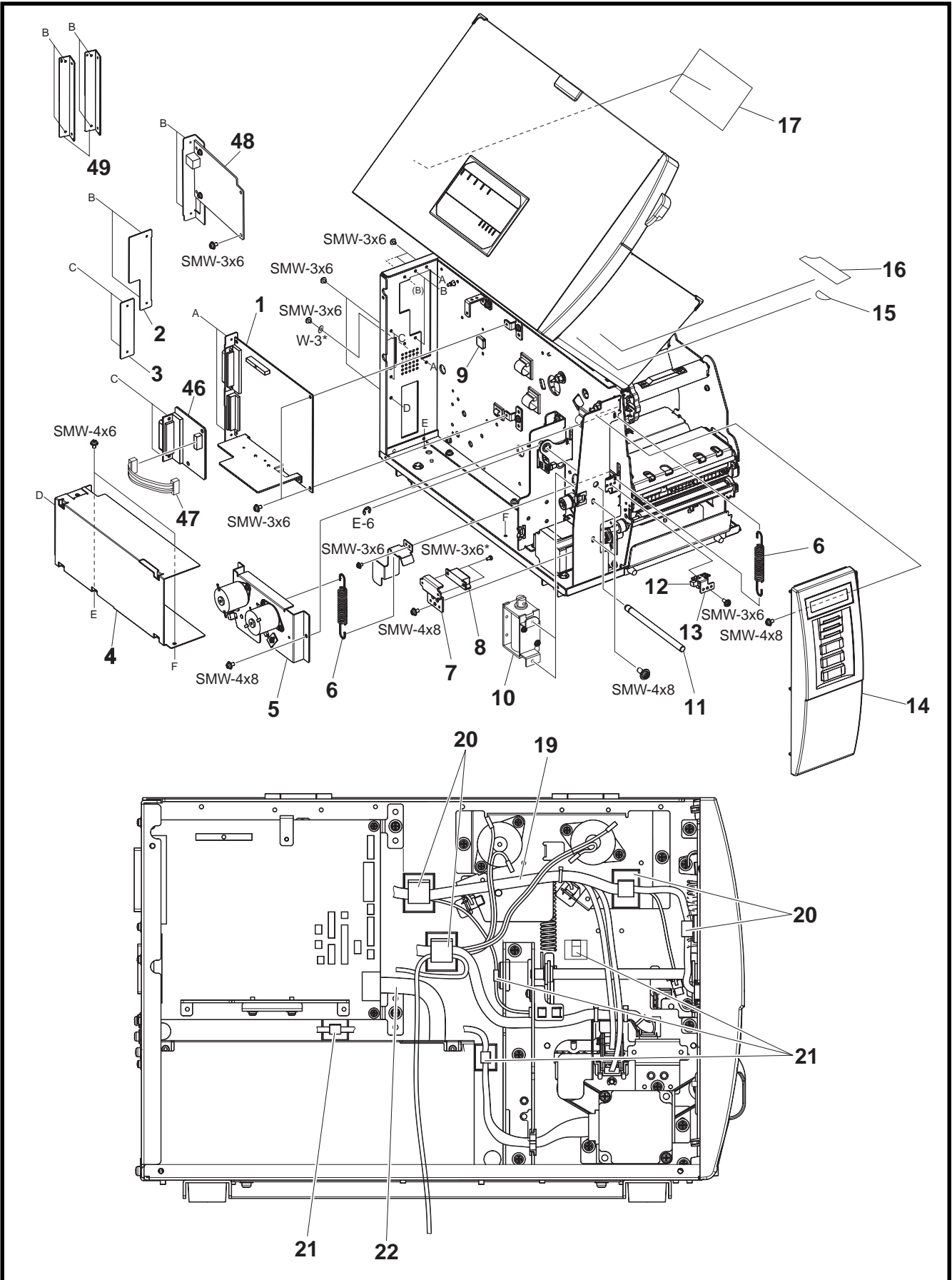
	Ref. No.	Ref. No.	Description
(*1)	3-1	2-12	Head Up/Slit Sensor TLP1242 (C6)
(*2)	3-2	30-22	Cable Bush OLB-13
(*3)	3-12	31-6	Cable Clamp K-103G
(*4)	3-32	3-43	Idler Gear
(*5)	3-37	3-49	Holder Stopper
(*6)	3-42	30-7	Locking Support LCBT-3S
(*7)	3-51	30-12	Motor Drive Harness

Ref. No. 3-43 and 3-49 are the optional parts for the B-9904-H-QM, therefore these are listed individually.

**NOTE 2:** These parts are supplied only as an assembly. Ref. Nos. 3-35 to 3-40 are only for the ribbon shaft ass'y (Feed) (FMBC0034003/FMBC0034001).

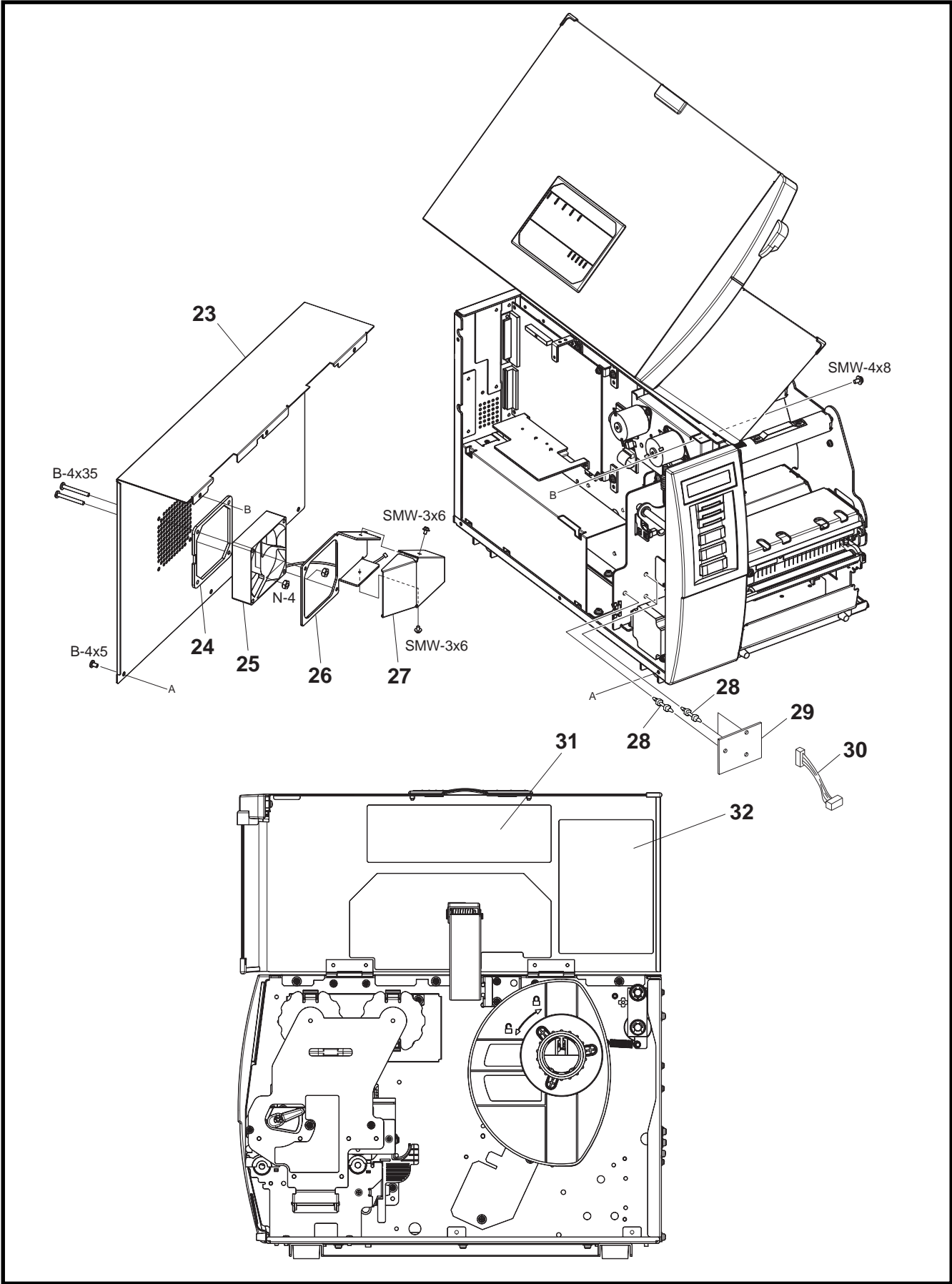


**2 LEFT SIDE BLOCK 1/3**



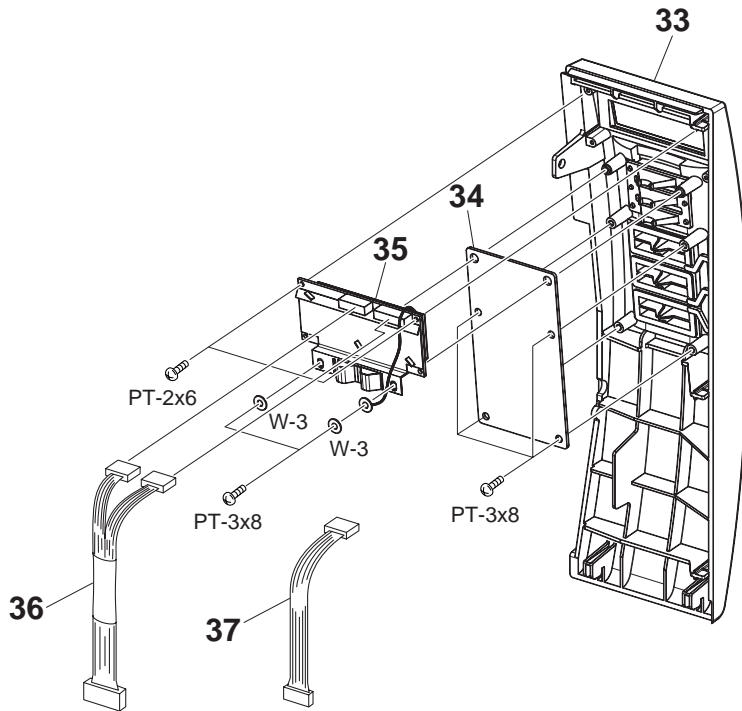
**2**

**LEFT SIDE BLOCK 2/3**

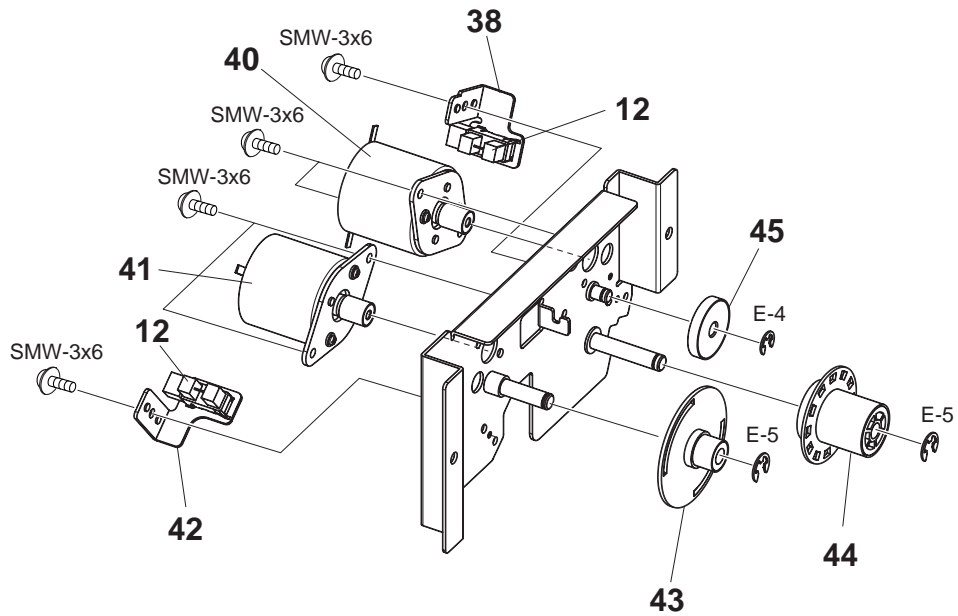


**2** LEFT SIDE BLOCK 3/3

**2** - 14



**2** - 5



2. LEFT SIDE BLOCK 1

Ref. No.	Part No.	Description	RoHS	Remarks	A	B	C	D	E	F	G	H	I	J	K	L	Recommended Parts
2-1	7FM0004000	MAIN PC Board Ass'y (Service No. B-334-01)		3T311410 or before	1	0	0	0	0	0	0	1	0	1	0	0	E
	7FM00503000	MAIN 2 PC Board Ass'y (Service No. B-357-00)		3T311411 to 4Pxxxxxx Added:10/03													
	7FM00503500	MAIN 2 PC Board Ass'y (Service No. B-357-05)		4Sxxxxxx or later Added: 9/04													
	7FM0004100	MAIN PC Board Ass'y (Service No. B-334-02)		3T311410 or before	0	1	0	0	1	1	0	0	0	0	0	0	E
	7FM00503100	MAIN 2 PC Board Ass'y (Service No. B-357-01)		3T311411 to 4Pxxxxxx Added:10/03													
	7FM00503600	MAIN 2 PC Board Ass'y (Service No. B-357-06)		4Sxxxxxx or later Added: 9/04													
	7FM0004200	MAIN PC Board Ass'y (Service No. B-334-03)		3Txxxxxx or before	0	0	1	0	0	0	0	0	1	0	0	0	E
	7FM00503200	MAIN 2 PC Board Ass'y (Service No. B-357-02)		3Wxxxxxx to 4Pxxxxxx Added:10/03													
	7FM00503700	MAIN 2 PC Board Ass'y (Service No. B-357-07)		4Sxxxxxx or later Added: 9/04													
	7FM0004300	MAIN PC Board Ass'y (Service No. B-334-04)		3Txxxxxx or before	0	0	0	1	0	0	1	0	0	0	0	0	E
	7FM00503300	MAIN 2 PC Board Ass'y (Service No. B-357-03)		3Wxxxxxx to 4Pxxxxxx Added: 10/03													
	7FM00503800	MAIN 2 PC Board Ass'y (Service No. B-357-08)		4Sxxxxxx or later													
	7FM01382200	MAIN 3 PC Board Ass'y (Service No. B-372-02)	R	Added: 1/06	0	0	0	0	0	0	0	0	0	0	0	1	0
	7FM01382100	MAIN 3 PC Board Ass'y (Service No. B-372-01)	R	Added: 1/06	0	0	0	0	0	0	0	0	0	0	0	0	1
2-2	7FM00082000	Blind Plate			1	1	1	1	1	1	1	1	1	1	0	0	
2-3	7FM00080000	Blind Plate Expansion I/O			1	1	0	0	1	1	0	1	0	1	1	0	
2-4	8VD00064100	PS Unit (QP)			1	0	1	0	0	0	0	1	1	1	0	0	E
	7FM00594100			Changed:6/04													
	8VD00064000	PS Unit (QQ)			0	1	0	1	1	1	1	0	0	0	0	0	E
	7FM00594000			Changed:6/04													
	7FM01627000	PS Unit (QM)		Added: 1/06	0	0	0	0	0	0	0	0	0	0	1	1	
2-5	7FM00167000	Ribbon Motor Ass'y			1	1	1	1	1	1	1	1	1	1	0	0	
	7FM00167100	Ribbon Motor Ass'y		Added: 1/06	0	0	0	0	0	0	0	0	0	0	1	1	
2-6	7FM00101000	Spring			2	2	2	2	2	2	2	2	2	2	2	2	
2-7	7FM00021000	Magnet Attachment Plate			1	1	1	1	1	1	1	1	1	1	1	1	
2-8	F0-01185000	Magnet MC-0099 No. 3			1	1	1	1	1	1	1	1	1	1	1	1	C
2-9	FMHB0020501	Nut Cap			1	1	1	1	1	1	1	1	1	1	1	1	
2-10	7FM00270000	Solenoid		B-9904-R-QM	(1)	(1)	1	1	(1)	(1)	1	(1)	1	(1)	0	0	D
	7FM00527000	Solenoid Type 2		B-9904-R2-QM Added: 10/03	(1)	(1)	1	1	(1)	(1)	1	(1)	1	(1)	0	0	
	7FM00527100	Solenoid Type 2		B-9904-R2-QM-R Added: 1/06	0	0	0	0	0	0	0	0	0	0	(1)	1	
2-11	7FM00030000	Head Block Fulcrum Shaft			1	1	1	1	1	1	1	1	1	1	1	1	
2-12	C0-01612000	Head Up/Slit Sensor TLP1242 (C6) (*1)			3	3	3	3	3	3	3	3	3	3	0	0	B
	C0-11118000	Head Up/Slit Sensor TLP1242 (C6 F) (*1)	R	Added: 1/06	3	3	3	3	3	3	3	3	3	3	3	3	
2-13	7FM00088000	Sensor Attachment Plate			1	1	1	1	1	1	1	1	1	1	1	1	
2-14	7FM00178000	Operation Panel Ass'y for TEC brand model, gray			1	1	1	1	0	1	1	1	1	0	0	0	
	7FM00178100	Operation Panel Ass'y for Century Systems model, dark gray		Added: 10/03	0	0	0	0	1	0	0	0	0	0	0	0	
	7FM00178300	Operation Panel Ass'y for METO model, Pantone 432C		Added: 5/04	0	0	0	0	0	0	0	0	0	1	0	0	

A: 4T-GS10/20-QP B: 4T-GS10/20-QQ C: 5T-TS12/22-QP D: 5T-TS12/22-QQ E: 4T-GS10-QQ-CCS F: 4T-GS10/20-QQ-US G: 5T-TS12/22-QQ-US

H: 4T-GS10/20-CN I: 5T-TS12/22-CN J: SP40II K: 4T-GS20-QM-R L: 5T-TS22-QM-R

2. LEFT SIDE BLOCK 2

EO8-33012A  
B-SX4T/SX5T SERIES FEB., 2003  
(Revision Date: Jun. 7, 2006)

Ref. No.	Part No.	Description	RoHS	Remarks	A	B	C	D	E	F	G	H	I	J	K	L	Recommended Parts
	7FM00178400	Operation Panel Ass'y for TOSHIBA brand model, cool black		Added: 2/05, GS20/TS22 model	1	1	1	1	0	1	1	1	1	0	0	0	
	7FM00178600	Operation Panel Ass'y for TOSHIBA brand model, cool black		Added: 1/06	0	0	0	0	0	0	0	0	0	0	1	1	
2-15	HCMB0029101	Energy Star Label	R		1	1	1	1	1	1	1	1	1	0	1	1	
2-16	7FM00198000	Model Name Label for TEC brand model		4Txxxxxx or before	1	1	0	0	0	1	0	1	0	0	0	0	
	7FM00771000	Model Name Label (RFID ready) for TEC brand model		4Wxxxxxx or later	1	1	0	0	0	1	0	1	0	0	0	0	
				Added: 10/04													
	7FM00245000	Model Name Label for TEC brand model		4Txxxxxx or before	0	0	1	1	0	0	1	0	1	0	0	0	
	7FM00772000	Model Name Label (RFID ready) for TEC brand model		4Wxxxxxx or later	0	0	1	1	0	0	1	0	1	0	0	0	
				Added: 10/04													
	7FM00678000	Model Name Label for METO model		Added: 5/04	0	0	0	0	0	0	0	0	0	1	0	0	
	7FM01027000	Model Name Label (RFID ready) for TOSHIBA brand model		Added: 2/05, GS20/TS22 model	1	1	0	0	0	1	0	1	0	0	1	0	
	7FM01026000	Model Name Label (RFID ready) for TOSHIBA brand model		Added: 2/05, GS20/TS22 model	0	0	1	1	0	0	1	0	1	0	0	1	
2-17	FMMC0024101	Supply Set Label	R	Deleted:2/05	1	1	1	1	1	1	1	1	1	1	1	1	
	FMMC0024301	Supply Set Label		Added 04/04	0	0	0	0	0	0	0	1	1	0	0	0	
2-18	F0-00210000	Cable Clamp-CKN-13		Deleted:10/03	2	2	2	2	2	---	---	---	---	---	---	---	
2-19	7FM00122000	Sensor Harness			1	1	1	1	1	1	1	1	1	1	1	1	E
2-20	F0-00502000	Cable Clamp CKN-10			2	2	2	2	2	---	---	---	---	---	---	---	
	F0-00599000	Cable Clamp DKN-10G	R	Added:10/03	4	4	4	4	4	4	4	4	4	4	4	4	
2-21	F0-00208000	Cable Clamp CKN-05	R		4	4	4	4	4	4	4	4	4	4	4	4	
	F0-01275000	Cable Clamp DKN-5G	R	Added: 10/03													
2-22	7FM00113000	Power Harness			1	1	1	1	1	1	1	1	1	1	0	0	E
	7FM01632000	Power Harness		Added: 1/06	0	0	0	0	0	0	0	0	0	0	1	1	
2-23	7FM00217000	Side Panel (L)			1	1	1	1	1	1	1	1	1	1	1	1	
2-24	FMQB0039901	Fan Spacer			1	1	1	1	1	1	1	1	1	1	1	1	
2-25	8VD00022000	Fan Motor	R		1	1	1	1	1	1	1	1	1	1	1	1	D
2-26	7FM00285000	Fan Base		SX4T: 3T311410 or before SX5T: 3Txxxxxx or before	1	1	1	1	1	---	---	---	---	1	0	0	
2-27	7FM00286000	Fan Cover		SX4T: 3T311410 or before SX5T: 3Txxxxxx or before	1	1	1	1	1	---	---	---	---	1	0	0	
2-28	F0-00144000	Locking Support LCBT-3S	R	B-9904-R/R2-QM	(3)	(3)	3	3	(3)	(3)	3	(3)	3	(3)	(3)	3	
2-29	FMBB0029601	RSV Interface PC Board Ass'y		B-9904-R/R2-QM	(1)	(1)	1	1	(1)	(1)	1	(1)	1	(1)	0	0	E
	7FM01493000	RSV Interface PC Board Ass'y		B-9904-R2-QM-R	0	0	0	0	0	0	0	0	0	0	(1)	1	
				Added: 1/06													
2-30	7FM00119000	Solenoid Harness		B-9904-R/R2-QM	(1)	(1)	1	1	(1)	(1)	1	(1)	1	(1)	(1)	1	E
2-31	FMMC0020201	Caution Label ABC			1	1	1	1	1	1	1	1	1	1	1	1	
	FMMC0019501	PL Caution Label ET-2100		Added: 04/04	0	0	0	0	0	0	0	1	1	0	0	0	
2-32	7FM00199000	Supply Loading Instruction Label			1	1	1	1	1	1	1	1	1	1	1	1	
	7FM00534000	Supply Loading Instruction Label		Added: 04/04	0	0	0	0	0	0	0	1	1	0	0	0	
2-33	7FM00177000	Front Panel for TEC brand model, gray			1	1	1	1	0	1	1	1	1	0	0	0	
	7FM00177100	Front Panel for Century Systems model, dark gray		Added: 10/03	0	0	0	0	1	0	0	0	0	0	0	0	
	7FM00177300	Front Panel for METO model, Pantone 432C		Added: 5/04	0	0	0	0	0	0	0	0	0	1	0	0	
	7FM00177400	Front Panel for TOSHIBA brand model, cool black		Added: 2/05, GS20/TS22 model	1	1	1	1	0	1	1	1	1	0	0	0	
	7FM00177400	Front Panel for TOSHIBA brand model, cool black		Added: 1/06	0	0	0	0	0	0	0	0	0	0	1	1	
2-34	7FM00007000	LED PC Board Ass'y			1	1	1	1	1	1	1	1	1	1	0	0	E
	7FM01430000	LED PC Board Ass'y		Added: 1/06	0	0	0	0	0	0	0	0	0	0	1	1	
2-35	7FM00212000	LCD			1	1	1	1	1	1	1	1	1	1	0	0	E
	7FM01566000	LCD		Added: 1/06	0	0	0	0	0	0	0	0	0	0	1	1	

A: 4T-GS10/20-QP B: 4T-GS10/20-QQ C: 5T-TS12/22-QP D: 5T-TS12/22-QQ E: 4T-GS10-QQ-CCS F: 4T-GS10/20-QQ-US G: 5T-TS12/22-QQ-US

H: 4T-GS10/20-CN I: 5T-TS12/22-CN J: SP40II K: 4T-GS20-QM-R L: 5T-TS22-QM-R

2. LEFT SIDE BLOCK 3

Ref. No.	Part No.	Description	RoHS	Remarks	A	B	C	D	E	F	G	H	I	J	K	L	Recommended Parts
2-36	7FM00115000	LED-LCD Cable			1	1	1	1	1	1	1	1	1	1	0	0	E
	7FM01565000	LED-LCD Cable		Added: 1/06	0	0	0	0	0	0	0	0	0	0	1	1	E
2-37	7FM00114000	LED PC Board Cable			1	1	1	1	1	1	1	1	1	1	1	1	E
2-38	7FM00061000	Slit Sensor Mounting Plate (Feed)			1	1	1	1	1	1	1	1	1	1	1	1	
2-39	-----	-----			---	---	---	---	---	---	---	---	---	---	---	---	
2-40	7FM00213100	Ribbon Motor (Feed)			1	1	1	1	1	1	1	1	1	1	0	0	D
	7FM00213300	Ribbon Motor (Feed)		Added: 1/06	0	0	0	0	0	0	0	0	0	0	1	1	
2-41	7FM00213000	Ribbon Motor (Take-up)			1	1	1	1	1	1	1	1	1	1	0	0	D
	7FM00213200	Ribbon Motor (Take-up)		Added: 1/06	0	0	0	0	0	0	0	0	0	0	1	1	
2-42	7FM00066000	Slit Sensor Mounting Plate (Take-up)			1	1	1	1	1	1	1	1	1	1	1	1	
2-43	FMHC0008201	Ribbon Take-up Slit Gear			1	1	1	1	1	1	1	1	1	1	1	1	D
2-44	FMHC0026201	Ribbon Feed Slit Gear			1	1	1	1	1	1	1	1	1	1	1	1	D
2-45	FMHB0018301	Idler Gear	R		1	1	1	1	1	1	1	1	1	1	1	1	D
2-46	FMBC0071701	EXPIO PC Board Ass'y (NOTE 1)			(1)	(1)	1	1	(1)	(1)	1	(1)	1	(1)	0	0	E
	-----	EXPIO PC Board Ass'y R (NOTE 1)		Added: 1/06	0	0	0	0	0	0	0	0	0	0	(1)	1	E
2-47	FMCB0097801	EXPIO Harness			(1)	(1)	1	1	(1)	(1)	1	(1)	1	(1)	0	0	E
	FMCB0097802	EXPIO Harness		Added: 1/06	0	0	0	0	0	0	0	0	0	0	(1)	1	E
2-48	7FM00006000	USB PC Board Ass'y (NOTE 2)		B-9700-USB-QM/QM-R	(1)	(1)	(1)	(1)	1	(1)	(1)	(1)	(1)	(1)	(1)	(1)	E
				Added: 10/03													
2-49	7FM01630000	Blind Plate		Added: 1/06	0	0	0	0	0	0	0	0	0	0	2	2	

( ): Option

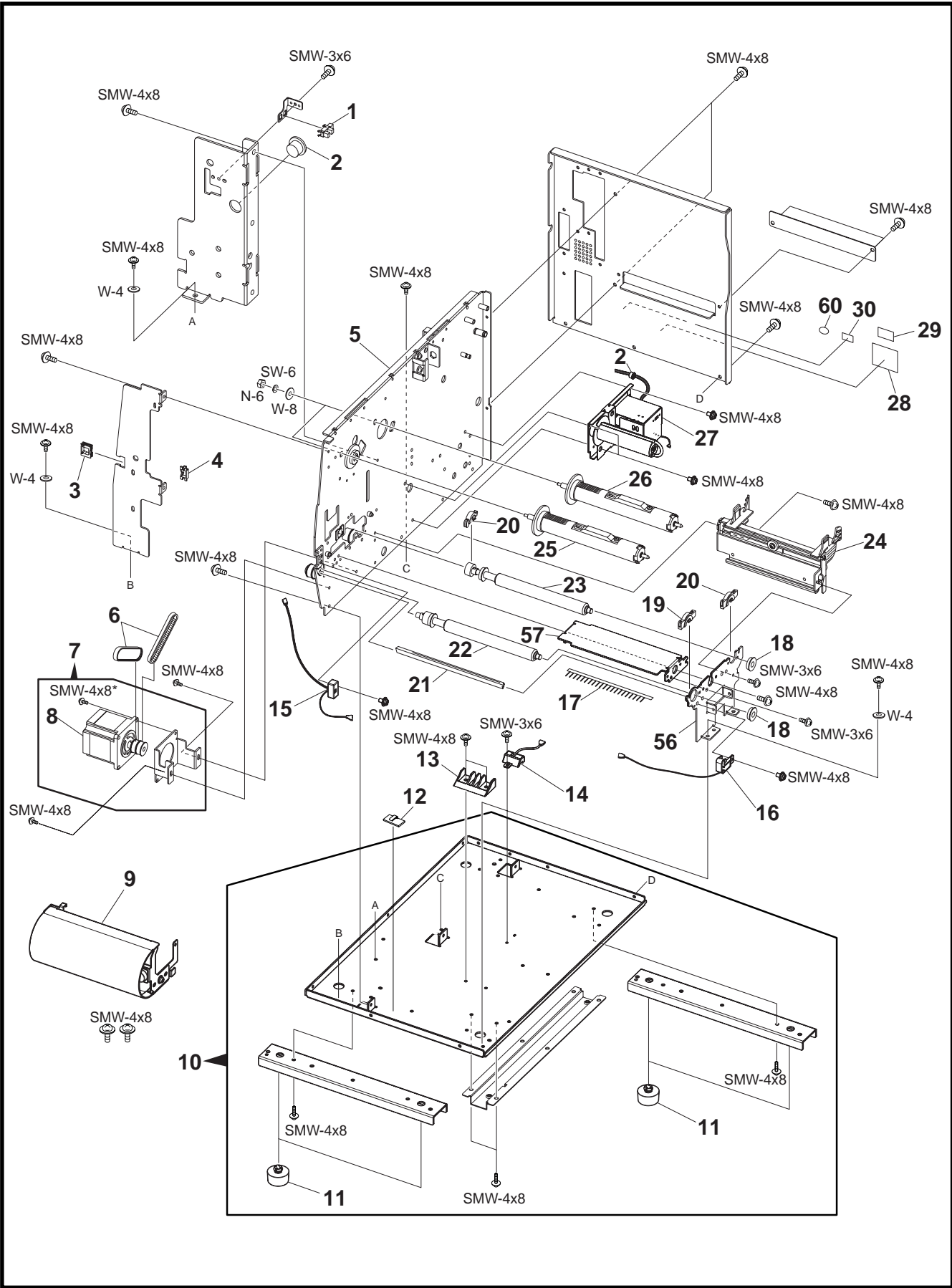
**Note: Same Parts List**

	Ref. No.	Ref. No.	Description
(*1)	2-12	3-1	Head Up/Slit Sensor TLP1242 (C6)

**NOTES:**

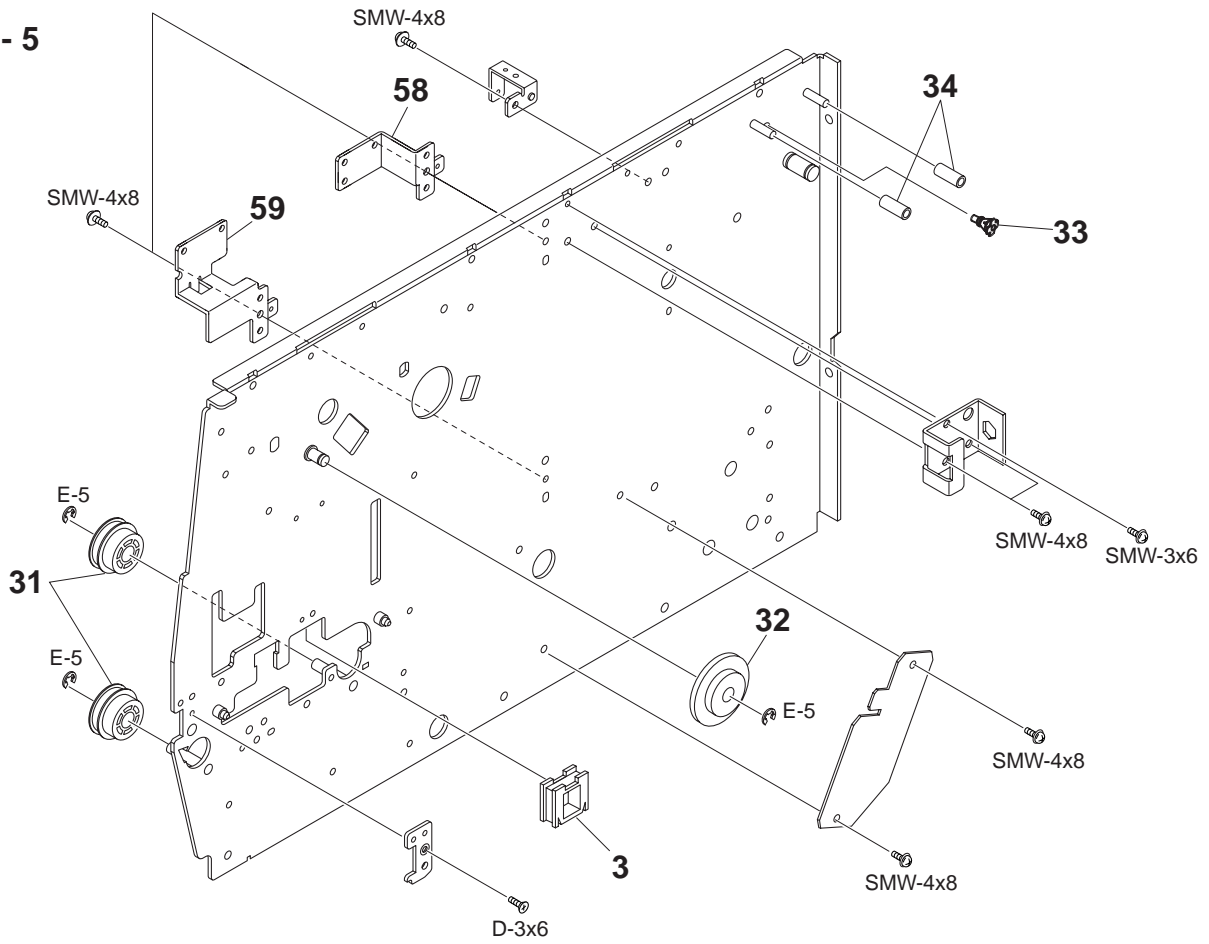
- The EXPIO PC Board Ass'y (Ref. No. 2-46) is included as a standard part of the B-SX5T series. However, this is the optional equipment for the B-SX4T series. If you would like to purchase this PC Board Ass'y, please order from the Sales Department of TOSHIBA TEC CORPORATION Headquarters.
- The USB PC Board Ass'y (Ref. No. 2-48) is included as a standard part of the B-SX4T-GS10-QQ-CCS series. However, this is the optional equipment for the B-SX4T and B-SX5T series. If you would like to purchase this PC Board Ass'y, please order from the Sales Department of TOSHIBA TEC CORPORATION Headquarters.

**3** SUPPLY DRIVE BLOCK 1/3



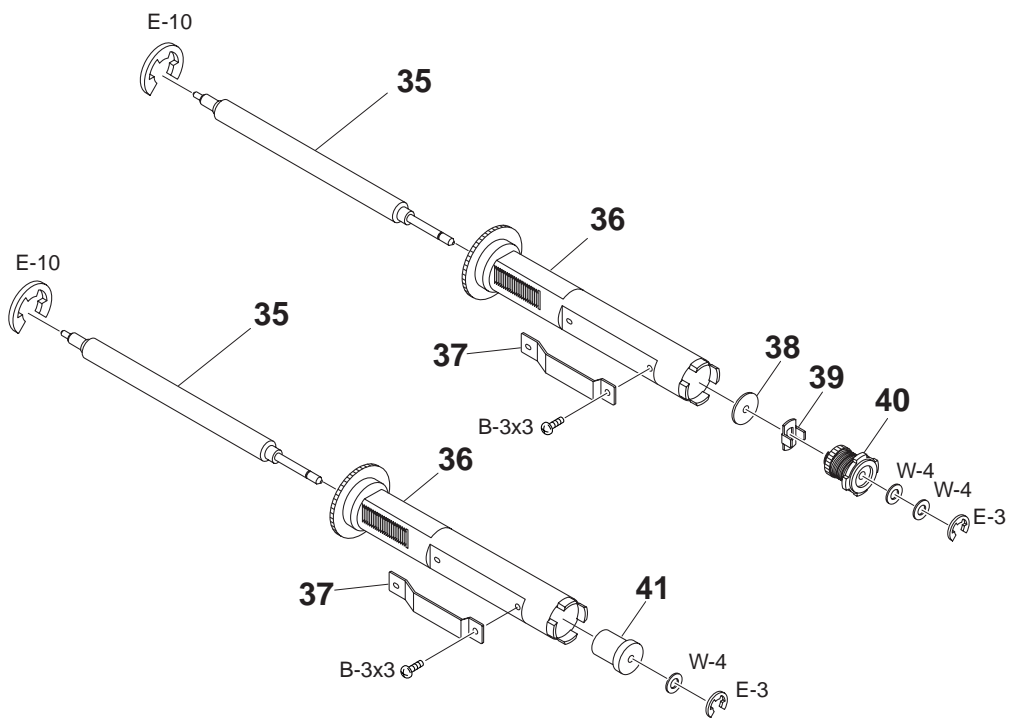
**3** SUPPLY DRIVE BLOCK 2/3

**3** - 5



**3** - 25

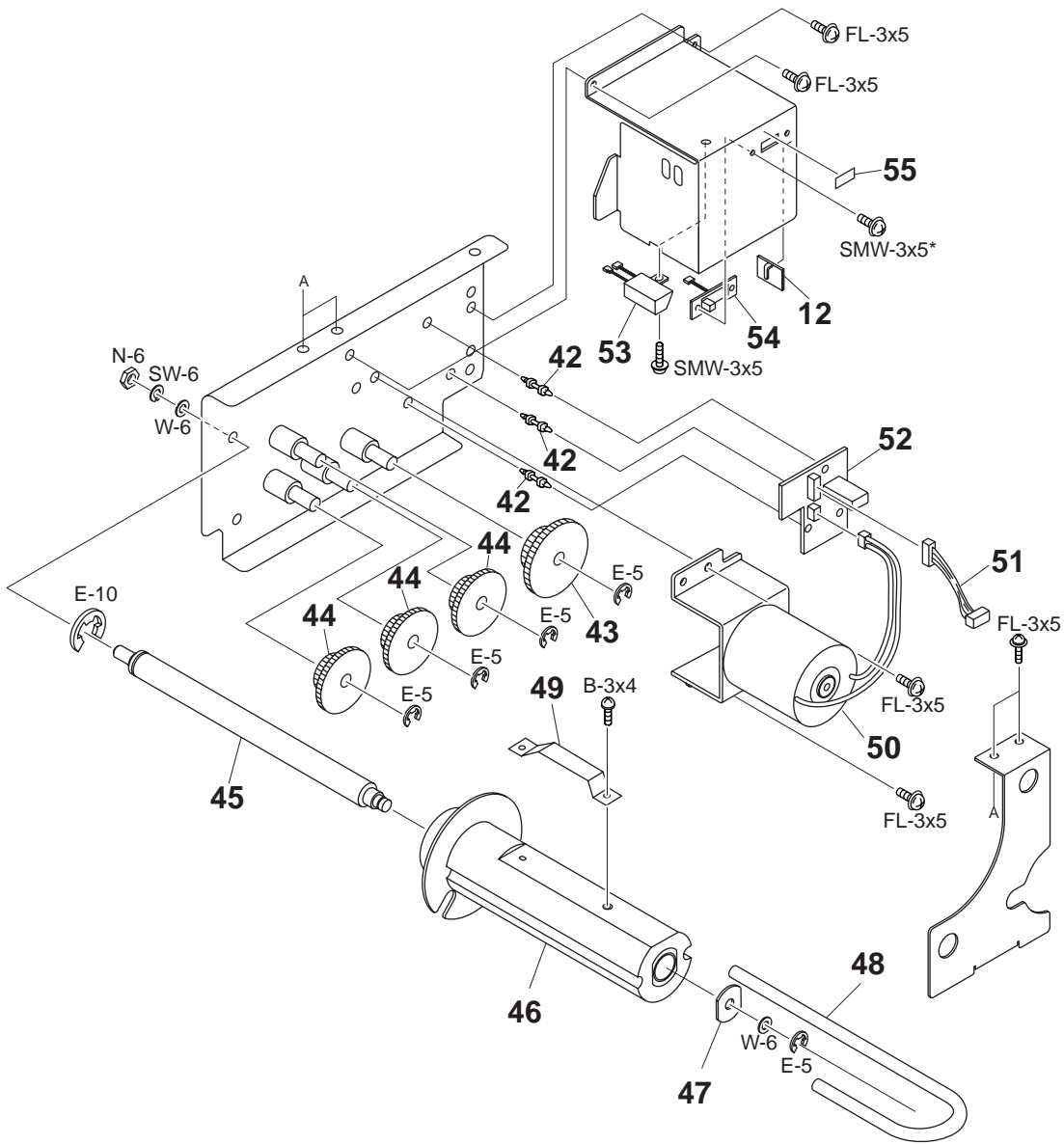
**3** - 26





**3** SUPPLY DRIVE BLOCK 3/3

**3** - 27



**Note:** The Rewinder Ass'y is the option for the B-SX4T.

3. SUPPLY DRIVE BLOCK 1

EO8-33012A  
B-SX4T/SX5T SERIES FEB., 2003  
(Revision Date: Jan. 23, 2006)

Ref. No.	Part No.	Description	RoHS	Remarks	A	B	C	D	E	F	G	H	I	J	K	L	Recommended Parts
3-1	C0-01612000	Head Up/Slit Sensor TLP1242 (C6) (*1)			1	1	1	1	1	1	1	1	1	1	0	0	B
	C0-11118000	Head Up/Slit Sensor TLP1242 (C6 F) (*1)	R	Added: 1/06	0	0	0	0	0	0	0	0	0	0	1	1	
3-2	F0-00168000	Cable Bush OLB-13 (*2)	R		2	2	2	2	2	2	2	2	2	2	2	2	
3-3	F0-00542000	Edge Guard LES-1010	R		2	2	2	2	2	2	2	2	2	2	2	2	
3-4	F0-00046000	Edge Guard EDS-3			1	1	1	1	1	1	1	1	1	1	1	1	
3-5	7FM00162000	Main Frame Ass'y			1	1	0	0	1	1	0	1	0	1	0	0	
	7FM00162100	Main Frame Ass'y			0	0	1	1	0	0	1	0	1	0	0	0	
	7FM00162200	Main Frame Ass'y		Added: 1/06	0	0	0	0	0	0	0	0	0	0	0	1	0
	7FM00162300	Main Frame Ass'y		Added: 1/06	0	0	0	0	0	0	0	0	0	0	0	1	
3-6	FCA-0103002	Timing Belt 60S2M172UG			2	2	0	0	2	2	0	2	0	2	2	0	B
	F0-01026000		R	Added:10/03													
	F0-00907000	Timing Belt 60S2M164UG			0	0	2	2	0	0	2	0	2	0	0	2	B
3-7	7FM00165000	Stepping Motor Ass'y			1	1	0	0	1	1	0	1	0	1	0	0	
	7FM00165100	Stepping Motor Ass'y			0	0	1	1	0	0	1	0	1	0	0	0	
	7FM00165200	Stepping Motor Ass'y		Added: 1/06	0	0	0	0	0	0	0	0	0	0	0	1	0
	7FM00165300	Stepping Motor Ass'y		Added: 1/06	0	0	0	0	0	0	0	0	0	0	0	1	
3-8	FMBB0035303	Stepping Motor			1	1	0	0	1	1	0	1	0	1	0	0	E
	FMBB0035202	Stepping Motor			0	0	1	1	0	0	1	0	1	0	0	0	
	FMBB0035304	Stepping Motor		Added: 1/06	0	0	0	0	0	0	0	0	0	0	0	1	0
	FMBB0035203	Stepping Motor		Added: 1/06	0	0	0	0	0	0	0	0	0	0	0	1	
3-9	FMBD0034501	Rewinder Guide Plate		B-9904-H-QM	(1)	(1)	1	1	(1)	(1)	1	(1)	1	(1)	0	0	
	FMBD0034502	Rewinder Guide Plate		B-9904-H-QM-R	0	0	0	0	0	0	0	0	0	0	(1)	1	
				Added: 1/06													
3-10	7FM00161000	Base Ass'y			1	1	1	1	1	1	1	1	1	1	0	0	
	7FM00161100	Base Ass'y		Added: 1/06	0	0	0	0	0	0	0	0	0	0	1	1	
3-11	24089157031	Plastic Foot 1325	R		4	4	4	4	4	4	4	4	4	4	4	4	
3-12	24088100910	Cable Clamp K-103G (*3)			2	2	2	2	2	2	2	2	2	2	2	2	
	F0-00136000		R	Added:10/03													
3-13	FMHB0021801	Rewind Paper Guide		B-9904-H-QM	(1)	(1)	1	1	(1)	(1)	1	(1)	1	(1)	(1)	1	
3-14	FMBB0031501	Rewind Full Sensor (LED)		B-9904-H-QM	(1)	(1)	1	1	(1)	(1)	1	(1)	1	(1)	0	0	B
	FMBB0031502	Rewind Full Sensor (LED)		B-9904-H-QM-R	0	0	0	0	0	0	0	0	0	0	(1)	1	
3-15	FMBB0031301	Strip Sensor (LED)		B-9904-H-QM	(1)	(1)	1	1	(1)	(1)	1	(1)	1	(1)	0	0	B
	FMBB0031302	Strip Sensor (LED)		B-9904-H-QM-R	0	0	0	0	0	0	0	0	0	0	(1)	1	
3-16	FMBB0029101	Strip Sensor (TR)		B-9904-H-QM	(1)	(1)	1	1	(1)	(1)	1	(1)	1	(1)	0	0	B
	FMBB0029102	Strip Sensor (TR)		B-9904-H-QM-R	0	0	0	0	0	0	0	0	0	0	(1)	1	
				Added: 1/06													
3-17	FMQB0037701	Anti-static Brush 135 mm			1	1	1	1	1	1	1	1	1	1	1	1	
3-18	F0-00905000	Shaft Holder RNR-1760X2ZZ			2	2	2	2	2	2	2	2	2	2	2	2	B
3-19	7FM00102000	Platen Holder			1	1	1	1	1	1	1	1	1	1	1	1	
3-20	7FM00055000	Feed Roller Holder			2	2	2	2	2	2	2	2	2	2	2	2	
3-21	7FM00146000	Strip Shaft			1	1	1	1	1	1	1	1	1	1	1	1	
3-22	7FM00163000	Platen			1	1	1	1	1	1	1	1	1	1	1	1	B
3-23	7FM00164000	Feed Roller			1	1	1	1	1	1	1	1	1	1	1	1	B
3-24	7FM00166000	Media Guide Ass'y			1	1	1	1	1	1	1	1	1	1	1	0	0
	7FM00166100	Media Guide Ass'y		Added: 1/06	0	0	0	0	0	0	0	0	0	0	1	1	E

A: 4T-GS10/20-QP B: 4T-GS10/20-QQ C: 5T-TS12/22-QP D: 5T-TS12/22-QQ E: 4T-GS10-QQ-CCS F: 4T-GS10/20-QQ-US G: 5T-TS12/22-QQ-US

H: 4T-GS10/20-CN I: 5T-TS12/22-CN J: SP40II K: 4T-GS20-QM-R L: 5T-TS22-QM-R

3. SUPPLY DRIVE BLOCK 2

EO8-33012A  
B-SX4T/SX5T SERIES FEB., 2003  
(Revision Date: Jan. 23, 2006)

Ref. No.	Part No.	Description	RoHS	Remarks	A	B	C	D	E	F	G	H	I	J	K	L	Recommended Parts
3-25	FMBC0034003	Ribbon Shaft Ass'y (Take-up)			1	1	0	0	1	1	0	1	0	1	0	0	
	FMBC0034004			Corrected:10/03													
	FMBC0034001	Ribbon Shaft Ass'y (Take-up)			0	0	1	1	0	0	1	0	1	0	0	0	
	FMBC0034002			Corrected:10/03													
	FMBC0034006	Ribbon Shaft Ass'y (Take-up)		Added: 1/06	0	0	0	0	0	0	0	0	0	0	1	0	
	FMBC0034005	Ribbon Shaft Ass'y (Take-up)		Added: 1/06	0	0	0	0	0	0	0	0	0	0	0	1	
3-26	FMBC0034004	Ribbon Shaft Ass'y (Feed)			1	1	0	0	1	1	0	1	0	1	0	0	
	FMBC0034003			Corrected:10/03													
	7FM00531000			Interchangeable (NOTE 2)													
				Added:10/03													
	FMBC0034002	Ribbon Shaft Ass'y (Feed)			0	0	1	1	0	0	1	0	1	0	0	0	
	FMBC0034001			Corrected:10/03													
	7FM00531100			Interchangeable (NOTE 2)													
				Added:10/03													
	7FM00531200	Ribbon Shaft Ass'y (Feed)		Added: 1/06 (NOTE 2)	0	0	0	0	0	0	0	0	0	0	1	0	
	7FM00531300	Ribbon Shaft Ass'y (Feed)		Added: 1/06 (NOTE 2)	0	0	0	0	0	0	0	0	0	0	0	1	
3-27	FMBD0024702	Rewinder Ass'y		B-9904-H-QM	(1)	(1)	1	1	(1)	(1)	1	(1)	1	(1)	0	0	
	FMBD0024703	Rewinder Ass'y		B-9904-H-QM-R	0	0	0	0	0	0	0	0	0	0	(1)	1	
				Added: 1/06													
3-28	7FM00264000	EU Standard Label for TEC brand model			1	0	1	0	0	0	0	1	1	1	0	0	
	7FM01028000	EU Standard Label for TOSHIBA brand model		Added: 2/05, GS20/TS22 model	1	0	1	0	0	0	0	1	1	0	1	1	
	FMMB0034501	FCC Label	R		0	1	0	1	1	1	1	0	0	0	0	0	
3-29	FMMB0045801	DOC Label	R		0	1	0	1	1	1	1	0	0	0	0	0	
3-30	FMBB0014101	ROM Version up label			1	1	1	1	1	1	1	1	1	1			
3-31	7FM00054000	Platen Pulley			2	2	2	2	2	2	2	2	2	2	2	2	D
3-32	FMHB0018201	Idler Gear (*4)	R		1	1	1	1	1	1	1	1	1	1	1	1	D
3-33	FDB-0048004	PCB Support CS-10S			1	1	1	1	1	1	1	1	1	1	1	1	
	F0-01034000			Changed: 10/04													
3-34	FMQB0045601	Damper Stopper Rubber			2	2	2	2	2	2	2	2	2	2	2	2	
3-35	FMDC0005701	Ribbon Shaft			2	2	2	2	2	2	2	2	2	2	1	1	
	7FM00528000	Ribbon Shaft (Feed)			0	0	0	0	0	0	0	0	0	0	1	1	
3-36	FMCB0060502	Ribbon Holder			2	2	2	2	2	2	2	2	2	2	0	0	
	FMCB0060504	Ribbon Holder			0	0	0	0	0	0	0	0	0	0	2	0	
	FMCB0060503	Ribbon Holder			0	0	0	0	0	0	0	0	0	0	0	2	
3-37	FMQB0036201	Holder Stopper (*5)	R		2	2	2	2	2	2	2	2	2	2	2	2	
3-38	FMQB0037201	Ribbon Back Tension Washer			1	1	1	1	1	1	1	1	1	1	0	0	
3-39	FMEB0090701	Back Tension Stopper			1	1	1	1	1	1	1	1	1	1	0	0	
3-40	FMBC0035901	Ribbon Back Tension Block			1	1	1	1	1	1	1	1	1	1	0	0	A
3-41	FMHB0020401	Dummy Spacer			1	1	1	1	1	1	1	1	1	1	1	1	
3-42	FDB-0044001	Locking Support LCBT-3S (*6)		B-9904-H-QM	(3)	(3)	3	3	(3)	(3)	3	(3)	3	(3)			
	F0-00144000	Locking Support LCBT-3S (*6)	R												(3)	3	
	FDB-0027001	Locking Support KGLS-3S		Interchangeable													
	F0-00222000		R														
3-43	FMHB0018201	Idler Gear (*4)	R	B-9904-H-QM/QM-R	(1)	(1)	1	1	(1)	(1)	1	(1)	1	(1)	(1)	1	D
3-44	FMHB0019701	Take-up Gear		B-9904-H-QM/QM-R	(3)	(3)	3	3	(3)	(3)	3	(3)	3	(3)	(1)	1	D

A: 4T-GS10/20-QP B: 4T-GS10/20-QQ C: 5T-TS12/22-QP D: 5T-TS12/22-QQ E: 4T-GS10-QQ-CCS F: 4T-GS10/20-QQ-US G: 5T-TS12/22-QQ-US

H: 4T-GS10/20-CN I: 5T-TS12/22-CN J: SP40II K: 4T-GS20-QM-R L: 5T-TS22-QM-R

3. SUPPLY DRIVE BLOCK 3

Ref. No.	Part No.	Description	RoHS	Remarks	A	B	C	D	E	F	G	H	I	J	K	L	Recommended Parts
3-45	FMDC0005601	Take-up Shaft		B-9904-H-QM/QM-R	(1)	(1)	1	1	(1)	(1)	1	(1)	1	(1)	(1)	1	
3-46	FMCB0060601	Take-up Holder		B-9904-H-QM	(1)	(1)	1	1	(1)	(1)	1	(1)	1	(1)	0	0	
	FMCB0060602	Take-up Holder		B-9904-H-QM-R	0	0	0	0	0	0	0	0	0	0	(1)	1	
3-47	FMEB0084501	Ribbon Shaft Stopper		B-9904-H-QM	(1)	(1)	1	1	(1)	(1)	1	(1)	1	(1)	0	0	
	FMEB0084502	Ribbon Shaft Stopper		B-9904-H-QM-R	0	0	0	0	0	0	0	0	0	0	(1)	1	
3-48	FMDC0005901	Take-up Clip		B-9904-H-QM/QM-R	(1)	(1)	1	1	(1)	(1)	1	(1)	1	(1)	(1)	1	
3-49	FMQB0036201	Holder Stopper (*5)	R	B-9904-H-QM/QM-R	(1)	(1)	1	1	(1)	(1)	1	(1)	1	(1)	(1)	1	
3-50	7FM00328000	Rewinder Motor		B-9904-H-QM	(1)	(1)	1	1	(1)	(1)	1	(1)	1	(1)	0	0	E
	7FM00328100	Rewinder Motor		B-9904-H-QM-R	0	0	0	0	0	0	0	0	0	0	(1)	1	
3-51	FMCB0056602	Motor Drive Harness (*7)	R	B-9904-H-QM/QM-R	(1)	(1)	1	1	(1)	(1)	1	(1)	1	(1)	(1)	1	E
3-52	7FM00003000	PWA-SX PC Board Ass'y		B-9904-H-QM	(1)	(1)	1	1	(1)	(1)	1	(1)	1	(1)	0	0	E
	7FM01489000	PWA-SX PC Board Ass'y		B-9904-H-QM-R	0	0	0	0	0	0	0	0	0	0	(1)	1	
3-53	FMBB0031401	Rewind Full Sensor (TR)		B-9904-H-QM	(1)	(1)	1	1	(1)	(1)	1	(1)	1	(1)	0	0	B
	FMBB0031402	Rewind Full Sensor (TR)		B-9904-H-QM-R	0	0	0	0	0	0	0	0	0	0	(1)	1	
3-54	FMBB0041101	Slide Switch		B-9904-H-QM	(1)	(1)	1	1	(1)	(1)	1	(1)	1	(1)	0	0	E
	7FM01562000	Slide Switch		B-9904-H-QM-R	0	0	0	0	0	0	0	0	0	0	(1)	1	
3-55	FMMB0044201	Slide Switch Label		B-9904-H-QM/QM-R	(1)	(1)	1	1	(1)	(1)	1	(1)	1	(1)	(1)	1	
3-56	7FM00710000	Platen Frame Side		Added: 9/04	1	1	1	1	1	1	1	1	1	1	1	1	
3-57	7FM00709000	Platen Frame Top		Added: 9/04	1	1	1	1	1	1	1	1	1	1	1	1	
3-58	7FM00777000	RFID Attachment Plate B		Added: 10/04	1	1	1	1	1	1	1	1	1	1	1	1	
3-59	7FM00776000	RFID Attachment Plate A		Added: 10/04	1	1	1	1	1	1	1	1	1	1	1	1	

( ): Option

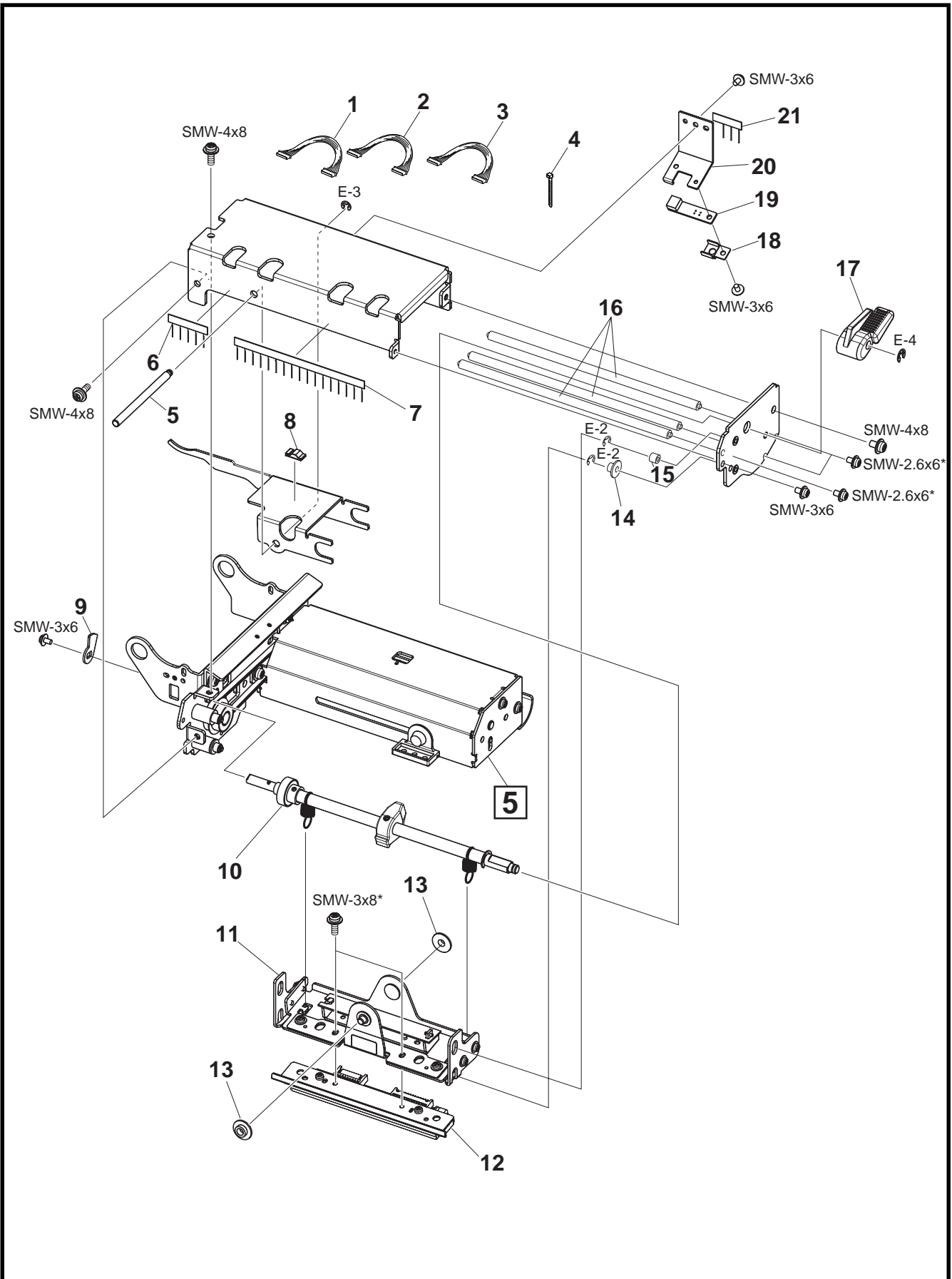
**NOTE 1: Same Parts in this Parts List**

	Ref. No.	Ref. No.	Description
(*1)	3-1	2-12	Head Up/Slit Sensor TLP1242 (C6)
(*2)	3-2	30-22	Cable Bush OLB-13
(*3)	3-12	31-6	Cable Clamp K-103G
(*4)	3-32	3-43	Idler Gear
(*5)	3-37	3-49	Holder Stopper
(*6)	3-42	30-7	Locking Support LCBT-3S
(*7)	3-51	30-12	Motor Drive Harness

Ref. No. 3-43 and 3-49 are the optional parts for the B-9904-H-QM, therefore these are listed individually.

**NOTE 2:** These parts are supplied only as an assembly. Ref. Nos. 3-35 to 3-40 are only for the ribbon shaft ass'y (Feed) (FMBC0034003/FMBC0034001).

**4** PRINT HEAD BLOCK



4. PRINT HEAD BLOCK 1

EO8-33012A  
 B-SX4T/SX5T SERIES FEB., 2003  
 (Revision Date: Jan. 23, 2006)

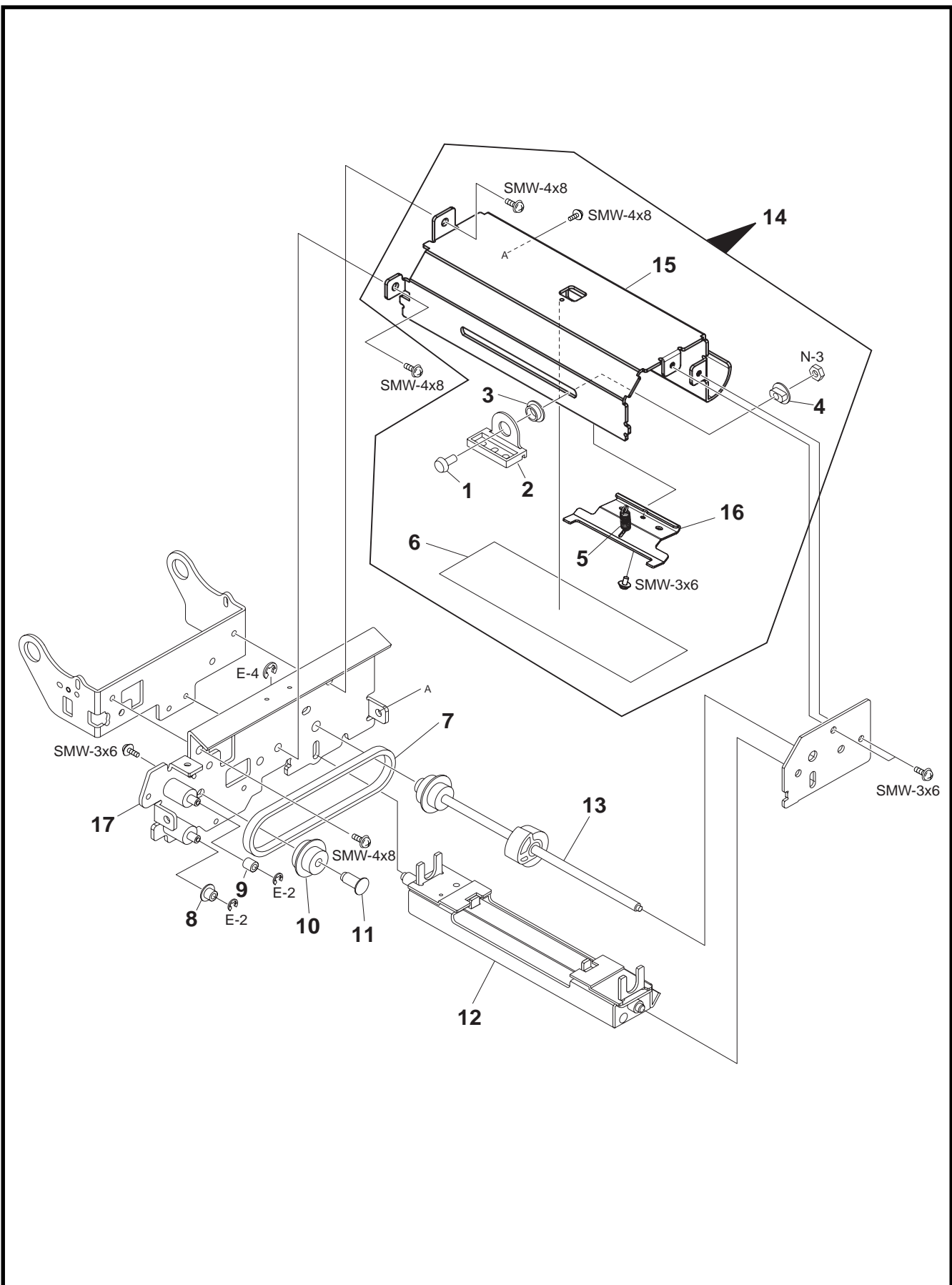
Ref. No.	Part No.	Description	RoHS	Remarks	A	B	C	D	E	F	G	H	I	J	K	L	Recommended Parts
4-1	7FM00117000	Head Harness (Power)			1	1	1	1	1	1	1	1	1	1	1	1	E
4-2	7FM00118000	Head Harness (Signal)			1	1	1	1	1	1	1	1	1	1	1	1	E
4-3	7FM00121000	Ribbon End Sensor Harness			1	1	1	1	1	1	1	1	1	1	1	1	E
4-4	F0-00543000	Cable Band ALT-096S T-100			3	3	3	3	3	---	---	---	---	---	---	---	
	F0-01277000	Cable Band CV-100		Added:10/03 SX5T: Reduced: 10/03 SX4T: Reduced: 11/03	2	2	2	2	2	2	2	2	2	2	5	5	
4-5	7FM00046000	Head Fulcrum Shaft			1	1	1	1	1	1	1	1	1	1	1	1	
4-6	FMQB0037901	Anti-static brush 30 mm			3	3	3	3	3	3	3	3	3	3	3	3	
4-7	7FM00187000	Anti-static brush			1	1	1	1	1	1	1	1	1	1	1	1	
4-8	7FM00293000	Cord Keep			1	1	1	1	1	1	1	1	1	1	1	1	
4-9	7FM00087000	Head Up Sensor Plate			1	1	1	1	1	1	1	1	1	1	1	1	
4-10	7FM00170000	Head Cam Shaft			1	1	1	1	1	1	1	1	1	1	1	1	
4-11	7FM00171000	Head Bracket Ass'y			1	1	1	1	1	1	1	1	1	1	0	0	
	7FM00171100	Head Bracket Ass'y		Added: 1/06	0	0	0	0	0	0	0	0	0	0	1	1	
4-12	7FM00172000	Print Head Ass'y		4Pxxxxxx or before	1	1	0	0	1	1	0	1	0	1	0	0	A
	7FM00706000	Print Head 2 Ass'y		4Sxxxxxx or later	1	1	0	0	1	1	0	1	0	1	0	0	A
				Added: 9/04													
	7FM00172100	Print Head Ass'y		4Txxxxxx or later	0	0	1	1	0	0	1	0	1	0	0	0	A
	7FM00706100	Print Head 2 Ass'y		4Wxxxxxx or later	0	0	1	1	0	0	1	0	1	0	0	0	A
				Added:11/04													
	7FM01641000	Print Head 2 Ass'y		Added: 1/06	0	0	0	0	0	0	0	0	0	0	1	0	A
	7FM01641100	Print Head 2 Ass'y		Added: 1/06	0	0	0	0	0	0	0	0	0	0	0	1	A
4-13	7FM00057000	Head Up Bush			2	2	2	2	2	2	2	2	2	2	2	2	
4-14	F0-00902000	Bracket F4-43 (*1)	R		1	1	1	1	1	1	1	1	1	1	1	1	
4-15	F0-00903000	Bracket S4-58 (*2)	R		1	1	1	1	1	1	1	1	1	1	1	1	
4-16	7FM00033000	Ribbon Guide Shaft			3	3	3	3	3	3	3	3	3	3	3	3	
4-17	7FM00144000	Head Lever			1	1	1	1	1	1	1	1	1	1	1	1	
4-18	7FM00096000	Ribbon End Sensor Cover			1	1	1	1	1	1	1	1	1	1	1	1	
4-19	7FM00013000	Ribbon End Sensor			1	1	1	1	1	1	1	1	1	1	0	0	B
	7FM01495000	Ribbon End Sensor R		Added: 1/06	0	0	0	0	0	0	0	0	0	0	1	1	B
4-20	7FM00131000	Ribbon End Sensor Attachment Plate			1	1	1	1	1	1	1	1	1	1	1	1	
4-21	FMQB0039601	Anti-static Brush 22mm			1	1	1	1	1	1	1	1	1	1	1	1	

Notes: Same Parts List

	Ref. No.	Ref. No.	Description
(*1)	4-1	5-8	Bracket F4-43
(*2)	4-2	5-9	Bracket S4-58

A: 4T-GS10/20-QP B: 4T-GS10/20-QQ C: 5T-TS12/22-QP D: 5T-TS12/22-QQ E: 4T-GS10-QQ-CCS F: 4T-GS10/20-QQ-US G: 5T-TS12/22-QQ-US  
 H: 4T-GS10/20-CN I: 5T-TS12/22-CN J: SP40II K: 4T-GS20-QM-R L: 5T-TS22-QM-R

**5 PINCH ROLLER BLOCK**



5. PINCH ROLLER BLOCK 1

EO8-33012A  
 B-SX4T/SX5T SERIES FEB., 2003  
 (Revision Date: May 12, 2006)

Ref. No.	Part No.	Description	RoHS	Remarks	A	B	C	D	E	F	G	H	I	J	K	L	Recommended Parts
5-1	HDG-0024003	Plastic Head Screw M-3x8			1	1	1	1	1	1	1	1	1	1	0	0	
	7FM01620100	Plastic Head Screw M-3x8		Added: 1/06	0	0	0	0	0	0	0	0	0	0	1	1	
5-2	7FM00186000	Media Sensor Attachment Plate			1	1	1	1	1	1	1	1	1	1	1	1	
5-3	7FM00044000	Bush			1	1	1	1	1	1	1	1	1	1	1	1	
5-4	7FM00043000	Joint			1	1	1	1	1	1	1	1	1	1	1	1	
5-5	7FM00202000	Pinch Roller Spring			1	1	1	1	1	1	1	1	1	1	1	1	
5-6	7FM00181000	Sheet			1	1	1	1	1	1	1	1	1	1	1	1	
5-7	F0-00908000	Timing Belt 40S3M219UG			1	1	1	1	1	1	1	1	1	1	1	1	B
5-8	F0-00902000	Bracket F4-43 (*1)	R		1	1	1	1	1	1	1	1	1	1	1	1	
5-9	F0-00903000	Bracket S4-58 (*2)	R		1	1	1	1	1	1	1	1	1	1	1	1	
5-10	7FM00051000	Pinch Roller Gear			1	1	1	1	1	1	1	1	1	1	1	1	D
5-11	7FM00038000	Gear Stud			1	1	1	1	1	1	1	1	1	1	1	1	
5-12	7FM00169000	Pinch Roller Ass'y			1	1	1	1	1	1	1	1	1	1	0	0	E
	7FM00169100	Pinch Roller Ass'y			0	0	0	0	0	0	0	0	0	0	1	1	E
5-13	7FM00168000	Pinch Roller Shaft			1	1	1	1	1	1	1	1	1	1	1	1	
5-14	7FM00230000	Pinch Roller Cover Assy		Added: 5/06	1	1	1	1	1	1	1	1	1	1	0	0	
	7FM00230100	Pinch Roller Cover Assy		Added: 5/06	0	0	0	0	0	0	0	0	0	0	1	1	
5-15	7FM00139000	Pinch Roller Cover		Added: 5/06	1	1	1	1	1	1	1	1	1	1	1	1	
5-16	7FM00018000	Pinch Roller Spring Plate		Added: 5/06	1	1	1	1	1	1	1	1	1	1	1	1	
5-17	7FM00142000	Pinch Roller Frame		Added: 5/06	1	1	1	1	1	1	1	1	1	1	1	1	

Notes: Same Parts List

	Ref. No.	Ref. No.	Description
(*1)	5-8	4-14	Bracket F4-43
(*2)	5-9	4-15	Bracket S4-58



6. MISCLANEOUS PARTS 1

EO8-33012A  
 B-SX4T/SX5T SERIES FEB., 2003  
 (Revision Date: Jan. 23, 2006)

Ref. No.	Part No.	Description	RoHS	Remarks	A	B	C	D	E	F	G	H	I	J	K	L	Recommended Parts
B-3x3	24B05010303	Bind Screw M-3x3															
B-3x4	24B05040304	Bind Screw M-3x4	R	Added: 1/06													
B-4x5	X0-00447000	Bind Screw M-4x5	R														
B-4x35	X0-00461000	Bind Screw M-4x35															
D-3x6	X0-00316000	Dish Head Screw M-3x6															
	X0-00317000	Dish Head Screw M-3x6	R	Added: 1/06													
FL-3x5	X0-00472000	Flanged Screw M-3x5															
	X0-02370000	Flanged Screw M-3x5	R	Added: 1/06													
FL-4x6	X0-00484000	Flanged Screw M-4x6															
	X0-02373000	Flanged Screw M-4x6	R	Added: 1/06													
FL-4x8	X0-00485000	Flanged Screw M-4x8															
	X0-00486000	Flanged Screw M-4x8	R	Added: 1/06													
PT-2x6	X0-00584000	P-TITE Screw M-2x6															
	X0-02325000	P-TITE Screw M-2x6		Added: 1/06													
PT-2.6x12	X0-00657000	P-TITE Screw M-2.6x12															
	X0-02367000	P-TITE Screw M-2.6x12	R	Added: 1/06													
PT-3x6	X0-00595000	P-TITE Screw M-3x6		Added: 5/05													
PT-3x8	X0-00599000	P-TITE Screw M-3x8															
	X0-00602000	P-TITE Screw M-3x8	R	Added: 1/06													
PT-3x10	X0-00606000	P-TITE Screw M-3x10															
	X0-00609000	P-TITE Screw M-3x10	R	Added: 1/06													
SM-4x6C	X0-00150000	Sems Screw M-4x6															
(SMW-4x6)	X0-02093000	Sems Screw M-4x6	R	Added: 1/06													
SM-4x8C	X0-00160000	Sems Screw M-4x8															
SMW-2x6	X0-00014000	Double Sems Screw M-2x6															
SMW-2x10	X0-02277000	Double Sems Screw M-2x10		Added: 5/05													
SMW-2x16	X0-00035000	Double Sems Screw M-2x16															
SMW-2.6x6	X0-00293000	Double Sems Screw M-2.6x6															
	X0-02103000	Double Sems Screw M-2.6x6		Added: 1/06													
SMW-2.6x6*	X0-00292000	Double Sems Screw M-2.6x6		Small washer													
	X0-02364000	Double Sems Screw M-2.6x6		Added: 1/06													
SMW-3x5	X0-00047000	Double Sems Screw M-3x5															
	X0-00050000	Double Sems Screw M-3x5	R	Added: 1/06													
SMW-3x5*	X0-00046000	Double Sems Screw M-3x5		Small washer													
	X0-00049000	Double Sems Screw M-3x5	R	Added: 1/06													
SMW-3x6	X0-00056000	Double Sems Screw M-3x6															
	X0-00060000	Double Sems Screw M-3x6	R	Added: 1/06													
SMW-3x6*	X0-00055000	Double Sems Screw M-3x6		Small washer													
SMW-3x6**	X0-00059000	Double Sems Screw M-3x6	R	Small washer													
				Added: 5/05													
SMW-3x6***	X0-00060000	Double Sems Screw M-3x6	R	Added: 5/05													
SMW-3x8	X0-00078000	Double Sems Screw M-3x8															
SMW-3x8*	X0-00073000	Double Sems Screw M-3x8		Zinc													
	X0-00077000	Double Sems Screw M-3x8	R	Added: 1/06													
SMW-3x8**	X0-00072000	Double Sems Screw M-3x8		Small washer													
SMW-3x10	X0-00019000	Double Sems Screw M-3x10															

A: 4T-GS10/20-QP B: 4T-GS10/20-QQ C: 5T-TS12/22-QP D: 5T-TS12/22-QQ E: 4T-GS10-QQ-CCS F: 4T-GS10/20-QQ-US G: 5T-TS12/22-QQ-US

H: 4T-GS10/20-CN I: 5T-TS12/22-CN J: SP40II K: 4T-GS20-QM-R L: 5T-TS22-QM-R

6. MISCLANEOUS PARTS 2

EO8-33012A  
 B-SX4T/SX5T SERIES FEB., 2003  
 (Revision Date: Jan. 23, 2006)

Ref. No.	Part No.	Description	RoHS	Remarks	A	B	C	D	E	F	G	H	I	J	K	L	Recommended Parts
SMW-3x12	X0110312136	Double Sems Screw M-3x12															
SM-3x15B	X0-00115000	Double Sems Screw M-3x15															
(SWM-3x15)	X0-02300000	Double Sems Screw M-3x15	R	Added: 1/06													
SMW-4x6	X0-00151000	Double Sems Screw M-4x6															
	X0-00152000	Double Sems Screw M-4x6	R	Added: 1/06													
SMW-4x6*	X0110406136	Double Sems Screw M-4x6		Small washer													
SMW-4x8	X0-00161000	Double Sems Screw M-4x8															
	X0-00164000	Double Sems Screw M-4x8	R														
SMW-4x8*	X0-00160000	Double Sems Screw M-4x8		Small Washer													
	X0-02275000	Double Sems Screw M-4x8	R	Small washer													
				Added: 1/06													
SMW-4x10	X0-00176000	Double Sems Screw M-4x10		Small washer													
	X0-02363000	Double Sems Screw M-4x10		Added: 1/06													
TT-3x5	X0-00587000	TAP-TITE Screw M-3x5															
TT-4x8	X0-00622000	TAP-TITE Screw M-4x8															
E-2	X0-00963000	Retaining Ring E type M-2	R														
E-3	X0-00964000	Retaining Ring E type M-3	R														
E-4	X0-00965000	Retaining Ring E type M-4	R														
E-5	X0-00966000	Retaining Ring E type M-5	R														
E-6	X0-00967000	Retaining Ring E type M-6	R														
E-7	X0-00968000	Retaining Ring E type M-7	R														
E-10	X0-00971000	Retaining Ring E type M-10															
N-2	X0-00840000	Nut M-2															
N-3	X0-00881000	Nut M-3															
	X0-02145000	Nut M-3		Added: 1/06													
N-4	X0-00850000	Nut M-4															
	X0-02357000	Nut M-4	R	Added: 1/06													
N-6	X0-00859000	Nut M-6															
	X0-02305000	Nut M-6	R	Added: 1/06													
N-8	X0-00863000	Nut M-8															
	X0-02359000	Nut M-8	R	Added: 1/06													
W-2	X0-00929000	Washer M-2															
	X0-02361000	Washer M-2	R	Added: 1/06													
W-3	X0-00932000	Washer M-3															
	X0-01827000	Washer M-3		Added: 1/06													
W-3*	X0-00911000	Washer M-3															
W-4	X0-00936000	Washer M-4															
W-6	X0-00944000	Washer M-6		Added: 1/06													
	X0-02307000	Washer M-6	R	Added: 1/06													
W-6*	X0-02362000	Washer M-6	R	Added: 1/06													
W-8	X0-00947000	Washer M-8															
	X0-02352000	Washer M-8	R	Added: 1/06													
SW-4	X0-00897000	Spring Washer M-4															
SW-6	X0-00900000	Spring Washer M-6															
	X0-02308000	Spring Washer M-6	R	Added: 1/06													

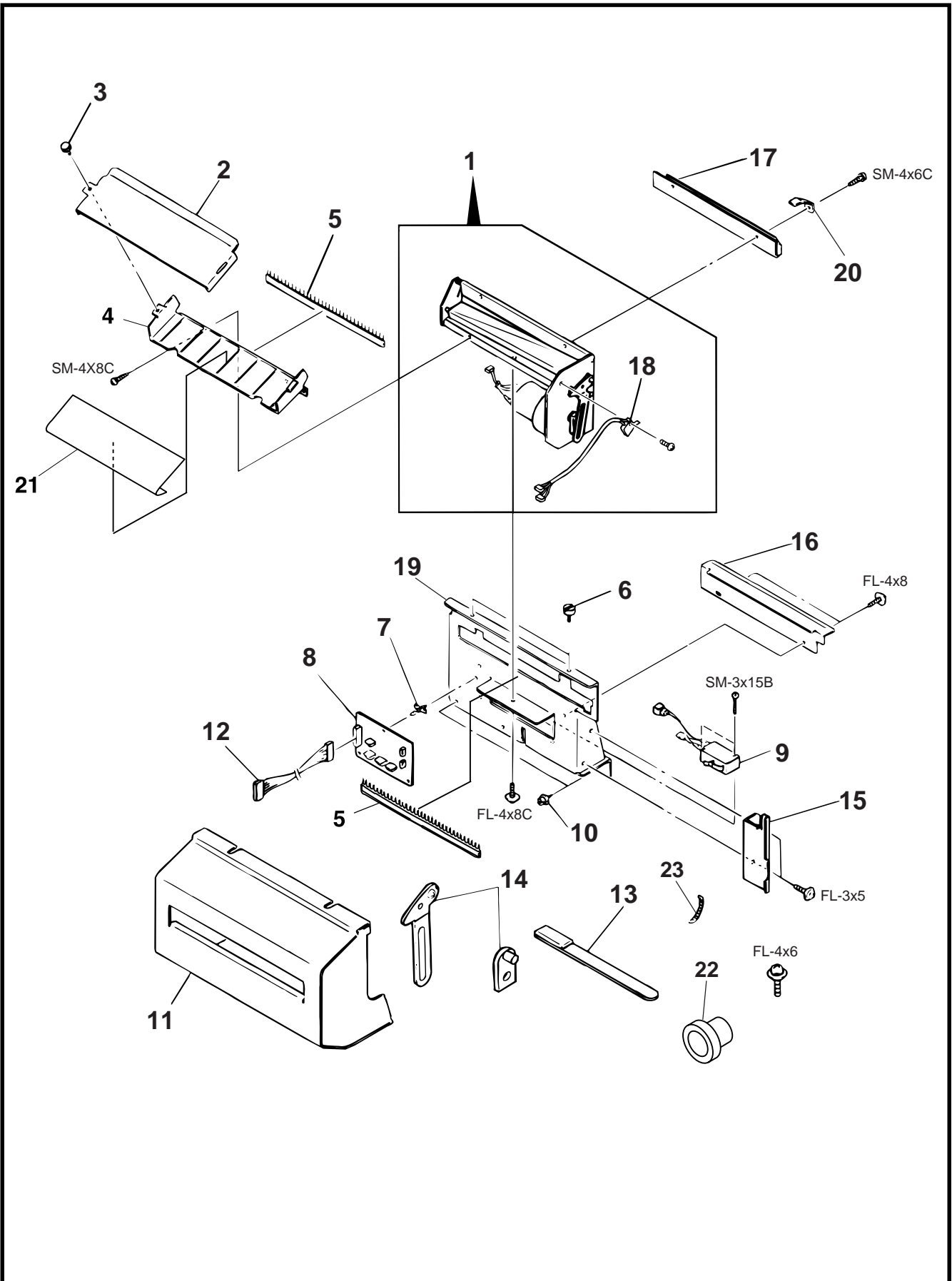
A: 4T-GS10/20-QP B: 4T-GS10/20-QQ C: 5T-TS12/22-QP D: 5T-TS12/22-QQ E: 4T-GS10-QQ-CCS F: 4T-GS10/20-QQ-US G: 5T-TS12/22-QQ-US

H: 4T-GS10/20-CN I: 5T-TS12/22-CN J: SP40II K: 4T-GS20-QM-R L: 5T-TS22-QM-R

OPTIONAL PARTS

EO8-33012A  
B-SX4T/SX5T SERIES FEB., 2003  
(Revision Date: Jan. 23, 2006)

**30** SWING CUTTER MODULE (B-4205-QM/B-4205-QM-R)



30. SWING CUTTER MODULE 1

EO8-33012A  
 B-SX4T/SX5T SERIES FEB., 2003  
 (Revision Date: Jan. 23, 2006)

Ref. No.	Part No.	Description	RoHS	Remarks	A	B	C	D	E	F	G	H	I	J	K	Recommended Parts
30-1	GFM-0060001	Cutter Unit			1	0										E
	G0-00411000	Cutter Unit		Added: 1/06	0	1										
30-2	FMBC0037301	Media Guide B			1	1										
30-3	24741710304	White Screw M-3x4 (*1)			1	0										A
	7FM01620000	White Screw M-3x4 (*1)		Added: 1/06	0	1										
30-4	FMCC0025401	Media Guide A	R		1	1										
30-5	FMQB0038201	Brush 128 mm	R		2	2										
30-6	HDA-0038001	Cover Holding Screw			2	0										A
	F0-00061000	Cover Holding Screw	R	Added: 1/06	0	2										
30-7	FDB-0044001	Locking Support LCBT-3S (*2)	R		3	3										
30-8	FMBB0034301	CUT I/F PC Board Ass'y (Service No. B-199-01)			1	0										E
	7FM01496000	CUT I/F PC Board Ass'y R (Service No. B-385-00)		Added: 1/06	0	1										
30-9	FMBB0034401	Cover Open Switch			1	0										E
	7FM01553000	Cover Open Switch		Added: 1/06	0	1										
30-10	FMDB0056601	Cutter Attaching Screw	R		2	2										A
30-11	FMBC0037001	Cutter Cover			1	0										E
	FMBD0037002	Cutter Cover		Added: 1/06	0	1										
30-12	FMCB0056602	Motor Drive Harness (*3)	R		1	1										E
30-13	FMQB0051601	Cleaner (*4)	R		1	1										A
30-14	ZBA-1464001	Arm and Clutch Kit		Service part	---	---										
30-15	FMEB0091701	Cutter Link Cover	R		1	0										
	FMEB0091702	Cutter Link Cover		Added: 1/06	0	1										
30-16	FMEC0038301	Cutter Guide Plate B	R		1	1										
30-17	FMEC0038201	Cutter Guide Plate A	R		1	1										
30-18	ZBA-2095001	Cutter Micro Switch Ass'y			1	0										
30-19	FMED0020101	Cutter Frame	R		1	0										
	FMED0020102	Cutter Frame		Added: 1/06	0	1										
30-20	FMEB0091201	Cutter Release Lever	R		1	0										
	FMEB0091202	Cutter Release Lever		Added: 1/06	0	1										
30-21	FMQB0046801	Cutter Guide Sheet	R		1	1										
30-22	F0-00168000	Cable Bush OLBT-13 (*5)	R		1	1										
30-23	24081600000	Cable Band			2	0										
	F0-00563000	Cable Band PLT1M	R	Added: 1/06	0	2										

**NOTE:**

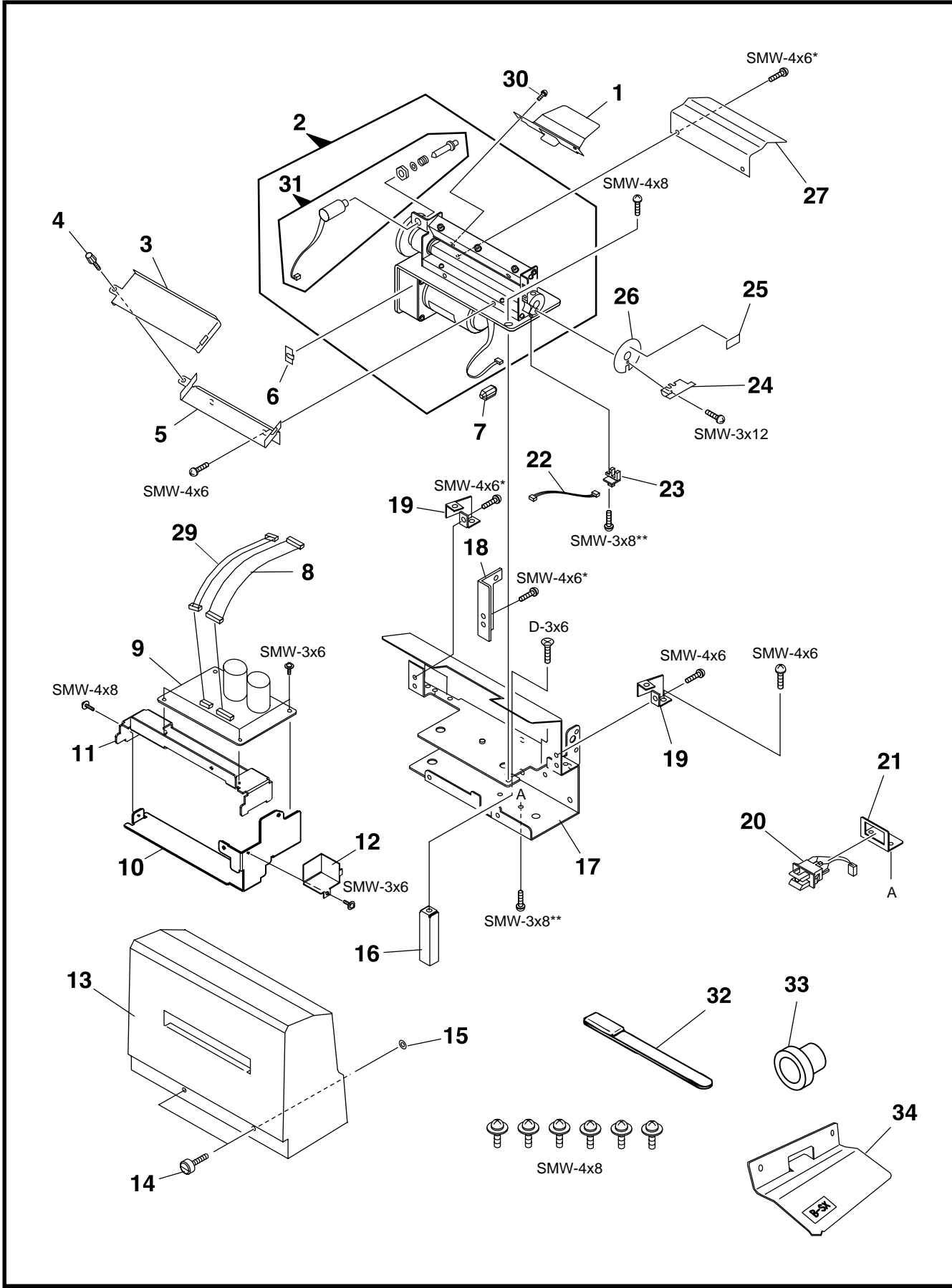
B-4205-QM is exclusively for the B-SX4T, SP40II, or B-SX5T series.  
 B-4205-QM-R is exclusively for the B-SX4T-R or B-SX5T-R model.

**Notes: Same Parts List**

	Ref. No.	Ref. No.	Description
(*1)	30-3	31-4	White Screw M3x4
(*2)	30-7	3-42	Locking Support LCBT-3S
(*3)	30-12	3-51	Motor Drive Harness
(*4)	30-13	31-32	Cleaner
(*5)	30-22	3-2	Cable Bush OLBT-13

A: B-4205-QM B: B-4205-QM-R

**31 ROTARY CUTTER MODULE (B-8204-QM)**



31. ROTARY CUTTER MODULE 1

EO8-33012A  
 B-SX4T/SX5T SERIES FEB., 2003  
 (Revision Date: Jan. 23, 2006)

Ref. No.	Part No.	Description		Remarks	A	B	C	D	E	F	G	H	I	J	K	Recommended Parts
31-1	FMEC0069101	Cutter Paper Guide C	R		1	1										
31-2	GFM-0066001	Cutter Unit			1	0										E
	G0-00416000	Cutter Unit		Added: 1/06	0	1										
31-3	FMBB0043601	Paper Guide A			1	1										
31-4	24741710304	White Screw M-3x4 (*1)			1	0										A
	7FM01620000	White Screw M-3x4 (*1)		Added: 1/06	0	1										
31-5	FMBB0043701	Paper Guide B			1	1										
31-6	24088100910	Cable Clamp K-103G (*2)			1	1										
	F0-00136000		R	Changed:10/03												
31-7	DDA-0156001	Ferrite Bead SFC-4			1	0										
	D0-04583000	Ferrite Bead SFC-4	R	Added: 1/06	0	1										
31-8	FMCB0056602	Motor Drive Harness (*3)	R		1	1										E
31-9	FMBC0070801	Rotary Cutter PC Board Ass'y (Service No. B-284-01)			1	0										E
	7FM01497000	Rotary Cutter PC Board Ass'y (Service No. B-386-00)		Added: 1/06	0	1										
31-10	FMEC0068601	Rotary Cutter Guide Plate C			1	1										
	FMEC0068602			Changed: 1/05												
	7FM01068000	Rotary Cutter Frame B		Changed:3/05												
31-11	FMEC0068501	Rotary Cutter Guide Plate B			1	1										
	7FM01067000	Rotary Cutter Frame A		Changed:3/05												
31-12	FMEC0069401	Rotary Cutter PC Board Cover			1	0										
	FMEC0069401		R	Corrected: 6/2003												
	FMEC0069402	Rotary Cutter PC Board Cover		Added: 1/06	0	1										
31-13	FMCD0018501	Cutter Cover	R		1	0										E
	FMCD0018502	Cutter Cover		Added: 1/06	0	1										
31-14	HDA-0058001	Cover Holding Screw TL-233 No. 4			2	0										A
	F0-00062000	Cover Holding Screw TL-233-4	R	Added: 1/06	0	2										
31-15	HZC-0006001	Speed Nut TM-147-2			2	0										
	F0-00070000	Speed Nut TM-147-2	R	Added: 1/06	0	2										
31-16	FMEB0106301	Cutter Support Plate A	R		1	0										
	FMEB0106302	Cutter Support Plate A		Added: 1/06	0	1										
31-17	FMCC0050101	Main Frame	R		1	0										
	FMCC0050102	Main Frame		Added: 1/06	0	1										
31-18	FMEB0126701	Cutter Support Plate	R		1	0										
	FMEB0126702	Cutter Support Plate		Added: 1/06	0	1										
31-19	FMEC0069301	Rotary Cutter Frame B	R		2	0										
	FMEC0069302	Rotary Cutter Frame B		Added: 1/06	0	2										
31-20	FMCB0073902	Cutter Interlock Switch			1	0										E
	7FM01554000	Cutter Interlock Switch		Added: 1/06	0	1										
31-21	FMEB0103001	Switch Plate	R		1	0										
	FMEB0103002	Switch Plate		Added: 1/06	0	1										
31-22	FMCB0072401	Cutter Harness	R		1	1										E
31-23	FMCB0077101	Home Position Sensor			1	0										B
	7FM01574000	Home Position Sensor		Added: 1/06	0	1										
31-24	FMEB0106201	Release Lever	R		1	1										
31-25	FMMB0050101	Jam Clear Label	R		1	1										
31-26	FMEB0102801	Sensor Plate	R		1	0										
	FMEB0102802	Sensor Plate		Added: 1/06	0	1										

31. ROTARY CUTTER MODULE 2

EO8-33012A  
 B-SX4T/SX5T SERIES FEB., 2003  
 (Revision Date: Jan. 23, 2006)

Ref. No.	Part No.	Description		Remarks	A	B	C	D	E	F	G	H	I	J	K	Recommended Parts
31-27	FMEC0069201	Cutter Paper Guide D	R		1	1										
31-28	FDB-0044004	Locking Support LCBT-3S		Deleted:3/05	4											
31-29	FMCB0101501	Cutter DRV Harness B	R		1	1										E
31-30	HAA-0004001	Set Screw M-4x6 (*4)			2	0										A
	7FM01618200	Set Screw M-4x6 (*4)		Added: 1/06	0	2										
31-31	ZBA-2318001	Trigger Solenoid			1	0										D
31-32	FMQB0051601	Cleaner (*5)	R		1	1										A
31-33	F0-00168000	Cable Bush OLBT-13	R		1	1										
31-34	FMBC0102401	B-SX Cutter Paper Guide C		Accessory	1	1										
				Added: 10/03												
31-35	FDB-0081001	Spacer PS-303		Added: 1/06	0	1										

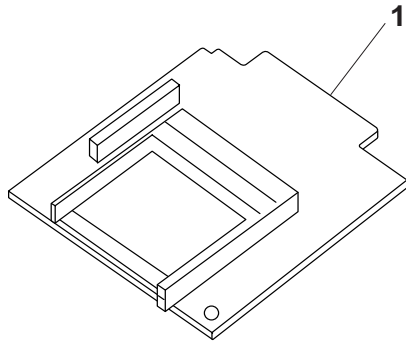
**NOTE:**  
 B-8204-QM is exclusively for the B-SX4T, SP40II, or B-SX5T series.  
 B-8204-QM-R is exclusively for the B-SX4T-R or B-SX5T-R model.

**NOTE: Same Parts in this Parts List**

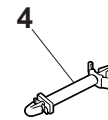
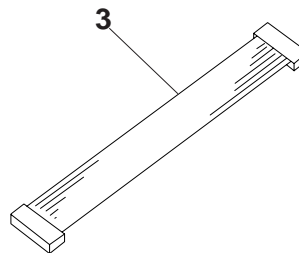
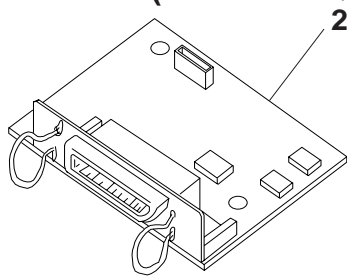
	Ref. No.	Ref. No.	Description
(*1)	31-4	30-3	White Screw M3x4
(*2)	31-6	3-12	Cable Clamp K-103G
(*3)	31-8	3-51	Motor Drive Harness
(*4)	31-30	1-5	Set Screw M4x6
(*5)	31-32	30-13	Cleaner

**32 OTHER OPTIONAL KITS**

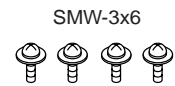
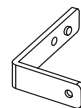
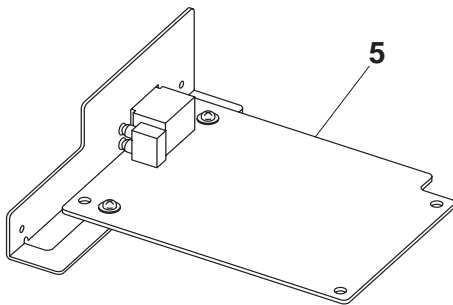
**PCMCIA PC Board (B-9700-PCM-QM/B-9700-PCM-QM-R)**



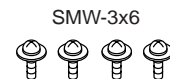
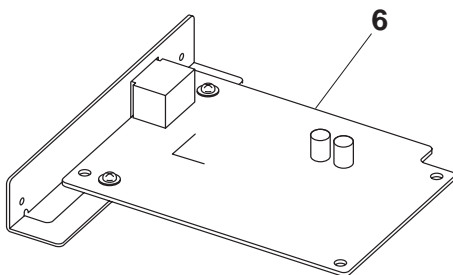
**Expansion I/O PC Board (B-7704-IO-QM/B-7704-IO-QM-R)**



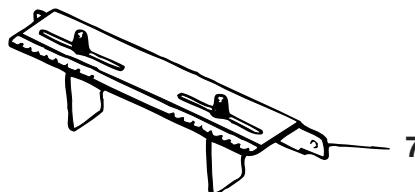
**Built-in LAN PC Board (B-9700-LAN-QM/B-9700-LAN-QM-R)**



**USB PC Board (B-9700-USB-QM/B-9700-USB-QM-R)**



**Fanfold Paper Guide (B-4905-FF-QM/B-4905-FF-QM-R)**





32. OTHER OPTIONAL KITS 1

EO8-33012A  
 B-SX4T/SX5T SERIES FEB., 2003  
 (Revision Date: Jun. 7, 2006)

Ref. No.	Part No.	Description	RoHS	Remarks	A	B	C	D	E	F	G	H	I	J	K	L	Recommended Parts
<b>B-9700-PCM-QM/B-9700-PCM-QM-R PCMCIA PC Board</b>																	
32-1	7FM00002000	PCMCIA PC Board Ass'y			1	1	1	1	1	1	1	1	1	1	0	0	E
	-----	PCMCIA2 PC Board Ass'y			0	0	0	0	0	0	0	0	0	0	1	1	
<b>B-7704-IO-QM/B-7704-IO-QM-R Expansion I/O PC Board</b>																	
32-2	FMBC0071701	EXPIO PC Board Ass'y (NOTE 1)			1	1	---	---	1	1	---	1	---	1	0	0	E
	-----	EXPIO PC Board Ass'y R (NOTE 1)			0	0	0	0	0	0	0	0	0	0	1	---	
32-3	FMCB0097801	EXPIO Harness			1	1	---	---	1	1	---	1	---	1	0	0	E
	FMCB0097802	EXPIO Harness			0	0	0	0	0	0	0	0	0	0	1	---	
32-4	FDB-0133001	Locking Support WLS-16-0			1	1	---	---	1	1	---	1	---	1	0	0	
	F0-00278000	Locking Support WLS-16-0	R		0	0	0	0	0	0	0	0	0	0	1	---	
<b>B-9700-LAN-QM/B-9700-LAN-QM-R Built-in LAN PC Board</b>																	
32-5	7FM00005000	LAN PC Board Ass'y			1	1	1	1	1	1	1	1	1	1	0	0	E
	-----	LAN2 PC Board Ass'y			0	0	0	0	0	0	0	0	0	0	1	1	
<b>B-9700-USB-QM/B-9700-USB-QM-R USB PC Board</b>																	
32-6	7FM00006000	USB PC Board Ass'y (NOTE 2)			1	1	1	1	---	1	1	1	1	1	0	0	E
	-----	USB2 PC Board Ass'y			0	0	0	0	0	0	0	0	0	0	1	1	
<b>B-4905-FF-QM/B-4905-FF-QM-R Fanfold Paper Guide</b>																	
32-7	-----	Fanfold Paper Guide			1	1	1	1	1	1	1	1	1	1	0	0	
	-----	Fanfold Paper Guide R			0	0	0	0	0	0	0	0	0	0	1	1	

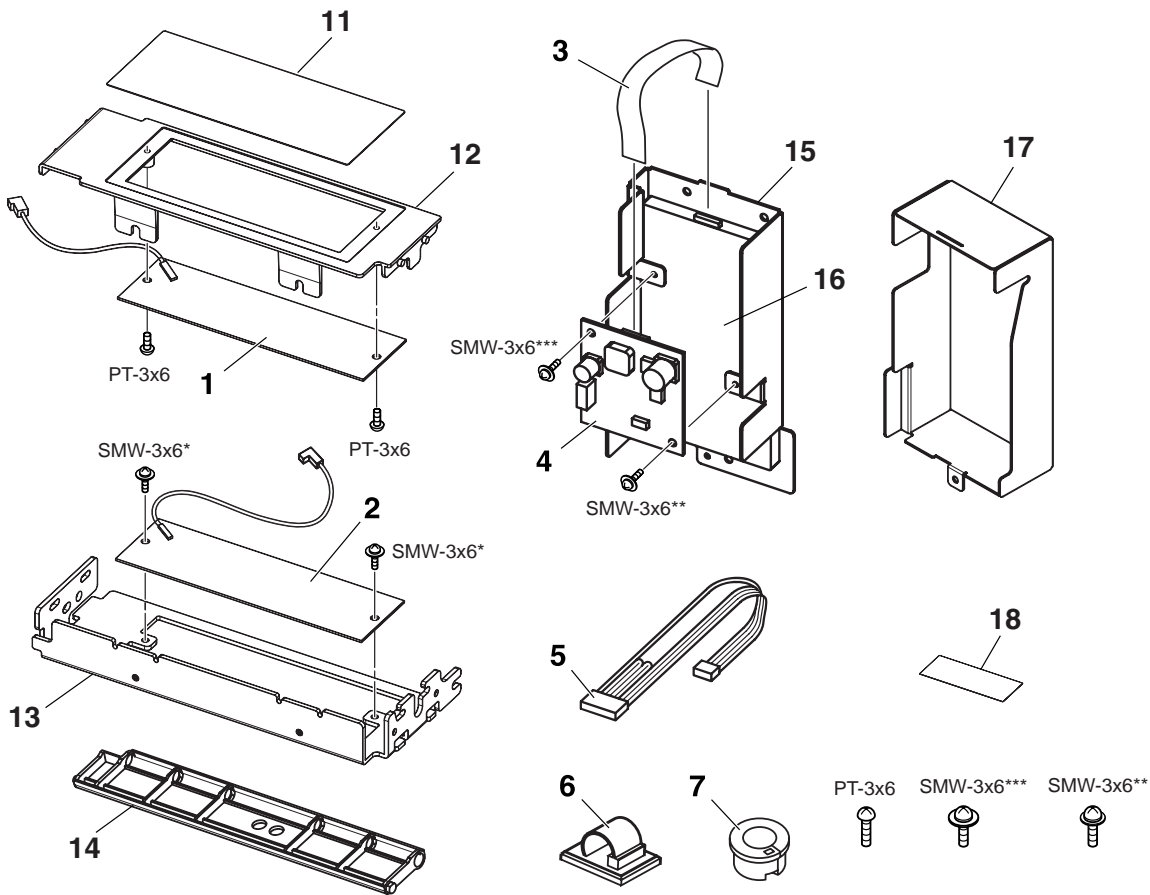
**NOTES:**

- The EXPIO PC Board Ass'y (Ref. No. 3-2) is included as a standard part of the B-SX5T series. However, this is the optional equipment for the B-SX4T series. If you would like to purchase this PC Board Ass'y, please order from the Sales Department of TOSHIBA TEC CORPORATION Headquarters.
- The USB PC Board Ass'y (Ref. No. 2-48) is included as a standard part of the B-SX4T-GS10-QQ-CCS series. However, this is the optional equipment for the B-SX4T and B-SX5T series. If you would like to purchase this PC Board Ass'y, please order from the Sales Department of TOSHIBA TEC CORPORATION Headquarters.
- B-9700-PCM-QM, B-7704-IO-QM, B-9700-LAN-QM, B-9700-USB-QM, and B-4905-FF-QM are exclusively for the B-SX4T, SP40II, or B-SX5T model. B-9700-PCM-QM-R, B-7704-IO-QM-R, B-9700-LAN-QM-R, B-9700-USB-QM-R, and B-4905-FF-QM-R are exclusively for the B-SX4T-R or B-SX5T-R model.

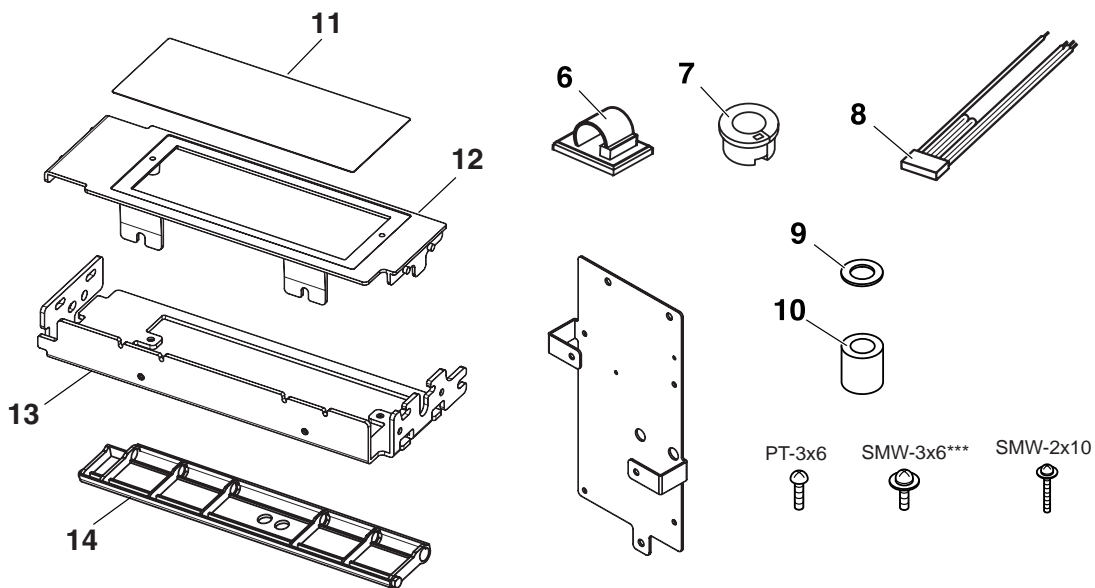
A: 4T-GS10/20-QP B: 4T-GS10/20-QQ C: 5T-TS12/22-QP D: 5T-TS12/22-QQ E: 4T-GS10-QQ-CCS F: 4T-GS10/20-QQ-US G: 5T-TS12/22-QQ-UE  
 H: 4T-GS10/20-CN I: 5T-TS12/22-CN J: SP40II K: 4T-GS20-QM-R L: 5T-TS22-QM-R

**33** RFID MODULE (B-9704-RFID-U1-US/EU, B-9704-RFID-H1-QM)

**B-9704-RFID-U1-US/EU**



**B-9704-RFID-H1-QM**



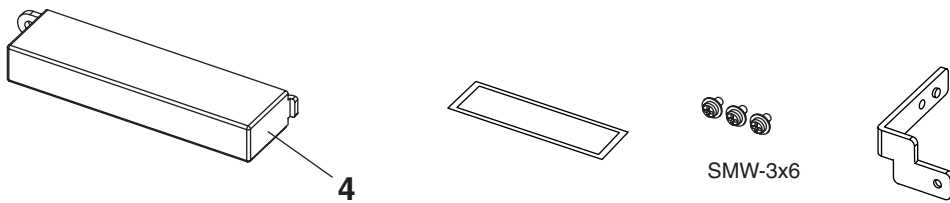
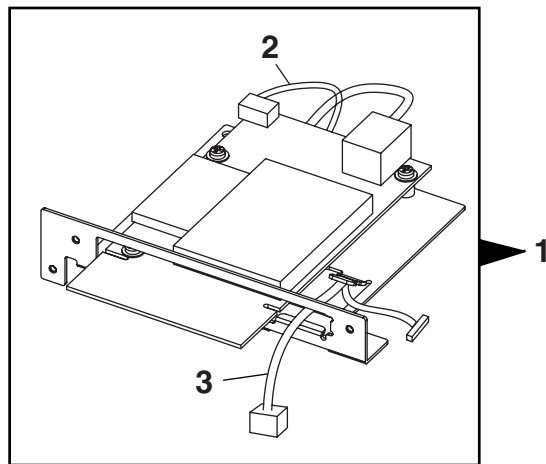
33. RFID MODULE 1

EO8-33012A  
 B-SX4T/SX5T SERIES FEB., 2003  
 (Revision Date: May 26, 2006)

Ref. No.	Part No.	Description	RoHS	Remarks	A	B	C	D	Recommended Parts
33-1	7FM00827100	Antenna Ass'y			0	1	0		E
33-2	7FM00827000	Antenna Ass'y			1	0	0		E
33-3	<del>E0-08388000</del> E0-09747000	RFID Flexible Cable		Changed: 9/05	1	1	0		E
33-4	7FM00779000	RFID PC Board Ass'y			1	1	0		E
33-5	7FM00694000	RFID Interface Cable			1	1	0		E
33-6	F0-00208000	Cable Clamp CKN-05			1	1	1		
33-7	F0-00168000	Bush OLBT-13			1	1	1		
33-8	7FM00778000	RFID Interface Cable			0	0	1		E
33-9	F0-01353000	Nylon Washer PA6/W 2.1-4-0.5			0	0	2		
33-10	F0-01352000	Spacer C-2005-4			0	0	2		
33-11	7FM00810000	Antenna Cover		Added: 5/06	1	1	1		
33-12	7FM00809000	Antenna Panel		Added: 5/06	1	1	1		
33-13	7FM00813000	Antenna Frame		Added: 5/06	1	1	1		
33-14	7FM00823000	Ribbon Guide		Added: 5/06	1	1	1		
33-15	7FM01160000	RFID Module Frame		Added: 5/06	1	1	0		
33-16	G0-00364000	RFID Module EU		Added: 5/06	0	1	0		E
	-----	RFID Module US		Added: 5/06	1	0	0		E
33-17	7FM01161000	RFID Module Cover		Added: 5/06	1	1	0		
33-18	7FM01253000	CE Sticker		Added: 5/06	0	1	0		
	-----	FCC Sticker		Added: 5/06	1	0	0		

34

# WIRELESS LAN MODULE (B-9700-WLAN-QM-R)

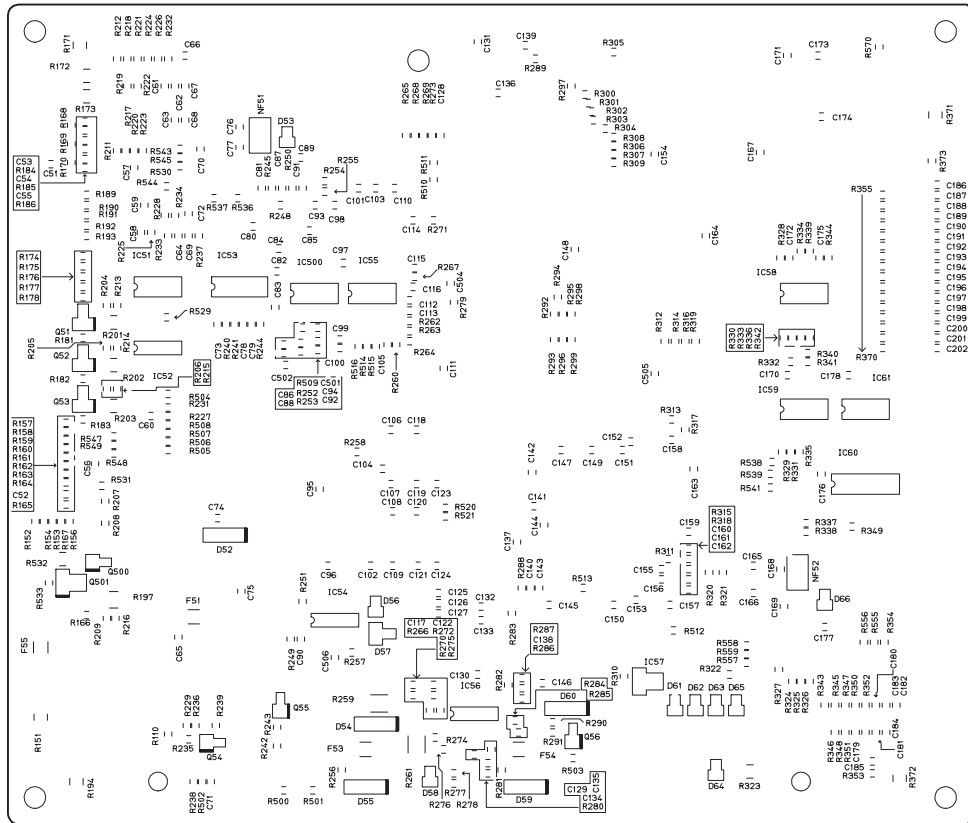
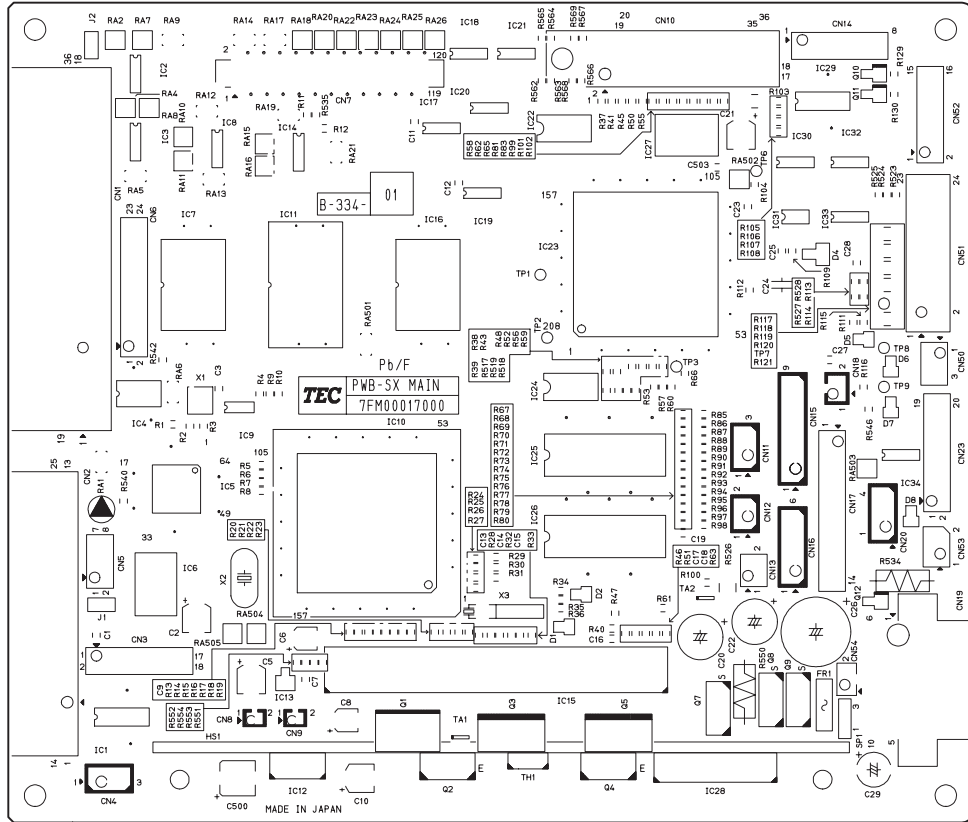


34. Wireless LAN MODULE 1

EO8-33012A  
B-SX4T/SX5T SERIES FEB., 2003  
(Revision Date: May 9, 2006)

Ref. No.	Part No.	Description	RoHS	Remarks	A	B	C	D	E	Recommended Parts
34-1	-----	Wireless LAN PC Board		Added: 5/2006	1					E
34-2	7FM01116000	Wireless LAN Power Cable		Added: 5/2006	1					E
34-3	7FM01117000	LAN Cable		Added: 5/2006	1					E
34-4	7FM01081000	Antenna Cover		Added: 5/2006	1					

50 MAIN PC BOARD ASS'Y



50. MAIN PC BOARD ASS'Y 1

EO8-33012A  
 B-SX4T/SX5T SERIES FEB., 2003  
 (Revision Date: Apr. 13, 2005)

Ref. No.	Part No.	Description	RoHS	Remarks	A	B	C	D	E	F	G	H	I	Recommended Parts
	7FM00004000	MAIN PC Board Ass'y (Service No. B-334-01)		3T311410 or before	1	0	0	0	0					E
	7FM00004100	MAIN PC Board Ass'y (Service No. B-334-02)		3T311410 or before	0	1	0	0	1					E
	7FM00004200	MAIN PC Board Ass'y (Service No. B-334-03)		3Txxxxxx or before	0	0	1	0	0					E
	7FM00004300	MAIN PC Board Ass'y (Service No. B-334-04)		3Txxxxxx or before	0	0	0	1	0					E
IC1	C0-02010001	SSOP28P SN75LV4737ADBLE			1	1	1	1	1					E
IC2,3,8,14	<del>C0-02836004</del> C0-11707001	CMOS,TSSOP20P SN74LV245APWR		IC8,14: 5T only Changed: 4/05	2	2	4	4	2					E
IC4	<del>C0-01293004</del> C0-08550001	SSOP24P TC74LVX4245FS(EL) SSOP24P TC74LVX4245FS(EL F)	R	Changed: 4/05	1	1	1	1	1					E
IC5	C0-05408000 C0-12159000	QFP64P TE6138 QFP64P TE6138PF		Added: 4/05	1	1	1	1	1					E
IC6	<del>C0-05797004</del> C0-07077001	SOP3P UPC2918T-E1 UPC2918T-E1-AZ	R	Changed:4/04	1	1	1	1	1					E
IC9	<del>C0-02787000</del> C0-11052000	CMOS, TSSOP14P SN74LV08APW		Changed: 4/05	1	1	1	1	1					E
IC10	C0-05784000	QFP208P HD6417709SF100B			1	1	1	1	1					E
IC11	7FM00226000 7FM00227000	ASYS-SX4 SOFT ASYS-SX5 SOFT			1	1	0	0	1					E
IC12	<del>C0-05790000</del> C0-07708000 F0-00413000	DIP3P LM1085IT-3,3 LM1085IT-3.3/NOPB Insulation Sheet T0-220-3	R	Changed:4/04	1	1	1	1	1					E
SMW-3x8*	X0-00072000	Double Sems Screw M-3x8 (small washer)		Secures IC12 and the Insulation sheet.	1	1	1	1	1					
IC15	C0-02252000	SIP16P STK6713AMK4			1	1	1	1	1					E
IC17~21,33	<del>C0-02833000</del> C0-11705000	CMOS,TSSOP20P SN74LV244APW		Changed: 4/05	6	6	6	6	6					E
IC23	C0-05244000 C0-05788000	QFP208P EP1K30QC208-3 EP1K50QC208-3			1	1	0	0	1					E
IC24	C0-06849000 <del>C0-07004000</del> C0-09795000	M93C66-WBN6 BR93L66-W	R	Interchangeable Changed: 4/05 Added:4/03	1	1	1	1	1					E
IC25,26	E0-02118000 C0-05013000 C0-06771000 C0-09036000	IC Socket DICF-8CS-E TSOP54P MT48LC4M16A2TG-75 Y84B MT48LC4M16A2TG-75 Y95W K4S641632H-UC75	R	IC26: 5T only Interchangeable Added:4/04	1	1	1	1	1					E
IC27	<del>C0-05798004</del> C0-07078001	SOP3P UPC2925T-E1 UPC2925T-E1-AZ	R	Changed:4/04	1	1	1	1	1					E
IC28	<del>C0-00922000</del> C0-09191000	ZIP12P TA8429H ZIP12P TA8429HQ	R	Changed: 4/05	1	1	1	1	1					E
IC30,32,34	C0-01548001	CMOS, TSSOP20P TC74VHCT244AFT(EL)			3	3	3	3	3					E
IC31	<del>C0-00478004</del> C0-09754001	SOP8P BA10393F-E2	R	Changed: 4/05	1	1	1	1	1					E

50. MAIN PC BOARD ASS'Y 2

EO8-33012A  
 B-SX4T/SX5T SERIES FEB., 2003  
 (Revision Date: Apr. 13, 2005)

Ref. No.	Part No.	Description	RoHS	Remarks	A	B	C	D	E	F	G	H	I	Recommended Parts
IC51	C0-05264001	SOP14P M62354FP 70ND			1	1	1	1	1					E
IC52,54,56	<del>C0-00475004</del> C0-09749001	SOP14P BA10324AF-E2	R	Changed: 4/05	3	3	3	3	3					E
IC53	<del>C0-02689004</del> C0-11524001	TTL SOP16P SN74LS123NSR		Changed: 4/05	1	1	1	1	1					E
IC55	<del>C0-05512000</del> C0-10261000	TTL SOP14P HD74LV32AFP	R	Changed: 4/05	1	1	1	1	1					E
IC58	<del>C0-02705004</del> C0-11544001	TTL SOP14P SN74LS14NSR		Changed: 4/05	1	1	1	1	1					E
IC59	<del>C0-01271004</del> C0-08535001	CMOS,SOP14P TC74HCU04AF(TP4)	R	Changed: 4/05	1	1	1	1	1					E
IC60	<del>C0-02011004</del> C0-11584001	TTL SOP20P SN74LS245NSR		Changed: 4/05	1	1	1	1	1					E
IC61	<del>C0-02508004</del> C0-11290001	SOP14P SN7406NSR		Changed:4/05	1	1	1	1	1					E
IC500	<del>C0-05508000</del> C0-10235000	TTL SOP14P HD74LV14AFP	R	Changed: 4/05	1	1	1	1	1					E
Q1	<del>C0-00607004</del> C0-07791004	XISTOR. 2SK2231(TE16L)		Changed:10/03	1	1	1	1	1					
	C0-08739001	XISTOR. 2SK2231(TE16L Q)	R	Changed: 4/05										
Q2,4	<del>C0-02185000</del> C0-10850000	XISTOR. 2SD1838	R	Changed: 4/05	2	2	2	2	2					
Q3,5	C0-02184001	XISTOR. 2SD1802S/T-TL			2	2	2	2	2					
Q7,8,9	<del>C0-03023000</del> C0-07337000	XISTOR. 2SJ495	R	Q7: 5T only Changed: 4/04	2	2	3	3	2					
Q10~12,54,55, 500	<del>C0-00221004</del> C0-09890001	Chip XISTOR. DTC123JUAT106	R	Changed: 4/05	6	6	6	6	6					
Q51~53	<del>C0-00163004</del> C0-09738001	XISTOR. 2SD2114KT146	R	Changed: 4/05	3	3	3	3	3					
Q56	<del>C0-00201004</del> C0-09840001	Chip XISTOR. DTA123JUAT106	R	Changed: 4/05	1	1	1	1	1					
Q501	<del>C0-02984004</del> C0-07376001	XISTOR. 2SB1115-T4	R	Changed: 4/04	1	1	1	1	1					
		XISTOR. 2SB1115-T1-AZ	R	Changed: 4/04										
D1,2,5~8,53, 56,58,66	<del>C0-05795004</del> C0-08658001	Diode 1SS372(TE85L)	R	Changed: 4/05	10	10	10	10	10					
D4	C0-00471001	Diode 1SS372(TE85L F)												
		Chip Diode 1SS187(TE85R)			1	1	1	1	1					
D52,54,55,59, 60	<del>C0-05547004</del> C0-09669001	Chip Diode 1SR154-400TE25	R	Changed: 4/05	5	5	5	5	5					
D57	C0-00473001	Chip Diode 1SS193(TE85R)			1	1	1	1	1					
D64	<del>C0-05796004</del> C0-08662001	Diode 1SS395(TE85L)	R	Changed: 4/05	1	1	1	1	1					
		Diode 1SS395(TE85L F)												
		< Chip CAP. >												
C1,9,13~15,52,	-----	GRM188F11E104ZA01D 0.1uF25V		C53-55: Deleted	-44	-44	-44	-44	-44					



50. MAIN PC BOARD ASS'Y 3

EO8-33012A  
 B-SX4T/SX5T SERIES FEB., 2003  
 (Revision Date: Apr. 13, 2005)

Ref. No.	Part No.	Description	RoHS	Remarks	A	B	C	D	E	F	G	H	I	Recommended Parts
-55,60~64,66~ 69,90,137,140~ 144,147,149~ 153,157~163, 179~184				Deleted: 10/03	41	41	41	41	41					
C2,10,21	-----	MKA16VC22ME55 22μF10V			3	3	3	3	3					
C3,11,12,16, 17,19,23,25,27, 28,51,56,57, 59,65,70~72, 74~77,80~88, 91~124,129, 131,134~136, 138,139,145, 146,148,154, 164,167~176, 178,185,502, 506	----- -----	GRM188B11H103KA01D 0.01μF 50V		C18: Deleted 4/04	92 91	92 91	92 91	92 91	92 91					
C6,8	-----	MKA16VC10MD55 10μF16V			2	2	2	2	2					
C58,125-127	-----	GRM188B11H561KA01D 560PF50V			4	4	4	4	4					
C73,79,ZX17	-----	GRM188B11C104KA01D 0.1μF16V			3	3	3	3	3					
C78	-----	GRM1882C1H221JA01D 220PF50V			1	1	1	1	1					
C89,177	----- -----	GRM188F11A105ZC01D 1000μF50V GRM188F11A105ZA01D 1000μF50V		Added: 4/05	2	2	2	2	2					
C130,186~202	-----	GRM1882C1H101JA01D 100PF50V			18	18	18	18	18					
C155,156	-----	GRM188B11H471KA01D 470PF50V			2	2	2	2	2					
C165,166	-----	GRM1882C1H220JZ01D 22PF50V			2	2	2	2	2					
C500	-----	MVY16VC220MF80 220μF16V			1	1	1	1	1					
C501	-----	GRM1882C1H470JZ01D 47PF50V			1	1	1	1	1					
C503	-----	GRM1882C1H100JZ01D 10PF50V			1	1	1	1	1					
		<b>&lt; Electrolytic CAP. &gt;</b>												
C20	-----	TC04RKMF10VB470MF50 470μF10V			1	1	1	1	1					
C26	-----	TD03RKZE50VB680MK30F50 680μF50V			1	1	1	1	1					
C29	-----	KMF10VB220M 220μF10V			1	1	1	1	1					
		<b>&lt; Film CAP. &gt;</b>												
C24	-----	ECQV1H224JL 0.22μF50V			1	1	1	1	1					
C53-55	-----	Chip RSTR. MCR03EZPF2202 22KΩ		Added: 10/03	3	3	3	3	3					
		<b>&lt; Chip RSTR. &gt;</b>												
R1	-----	MCR03EZHZ330 33Ω 1/16W			1	1	1	1	1					
R2,26,258,344 509,517~519, 546~549	-----	MCR03EZHZ101 100Ω 1/16W			12	12	12	12	12					
R3	-----	MCR03EZHZ105 1MΩ 1/16W			1	1	1	1	1					

50. MAIN PC BOARD ASS'Y 4

EO8-33012A  
 B-SX4T/SX5T SERIES FEB., 2003  
 (Revision Date: Apr. 13, 2005)

Ref. No.	Part No.	Description	RoHS	Remarks	A	B	C	D	E	F	G	H	I	Recommended Parts
R4,7,24,25,29 30,52,53,56, 57,59,60,254 255,512,520, 521	-----	MCR03EZHJ220 22Ω 1/16W			17	17	17	17	17					
R5,6,8~10,17, 21,66,110, 152~154,167, 174~178,184~ 186,190~193, 208,211,217, 219,220,222, 223,231,241, 245,249,262, 264,270,271, 274,283,291, 296,297,300~ 304,306~310, 312,317,324~ 327,330,338, 343,346,349, 353,505~508, 516,525,533, 536,537,553, 554,562~569	-----	MCR03EZHJ103 10KΩ 1/16W		R184-186: Deleted Deleted: 10/03	86 83	86 83	86 83	86 83	86 83					
R13,14,18,23, 28,31~36,67~ ~80,85~98, 189,218,224, 232,288,292, 295,298,299, 305,311,313, 316,319,320, 322,332,337, 340~342,345, 347,348,350~ 352,510,524, 535	-----	MCR03EZHJ000 0Ω 1/16W		R67~80: 5T only R85~98: 4T only	55	55	55	55	55					
R27,500~502, 513,538~542, 555	-----	MCR03EZHJ221 220Ω 1/16W			11	11	11	11	11					
R37,41,45,50, 55,58,62,65, 81,83,99,109 209,225,237	-----	MCR03EZHJ472 4.7KΩ 1/16W			15	15	15	15	15					
R38,48,101, 104,112~114,	-----	MCR03EZHJ102 1KΩ 1/16W		R168-170: Deleted. Deleted: 10/03	44 38	44 38	44 38	44 38	44 38					

50. MAIN PC BOARD ASS'Y 5

EO8-33012A  
 B-SX4T/SX5T SERIES FEB., 2003  
 (Revision Date: Apr. 13, 2005)

Ref. No.	Part No.	Description	RoHS	Remarks	A	B	C	D	E	F	G	H	I	Recommended Parts
468-470,227, 252,253,260, 263,265,267~ 269,273,329, 331,335,355~ 370,373,503														
R39,157~160, 163,289,543~ ~545	-----	MCR03EZHZJ680 68Ω 1/16W		R157~160: 5T only	6	6	10	10	6					
R40,46,47,51, 61,184-186, 251,257	-----	MCR03EZPFJ1002 10KΩ 1/16W		R51: 5T only R184-186: Added. Added: 10/03	6 9	6 9	7 10	7 10	6 9					
R43,100,105~ 108,116,129, 130,166,207, 235,238,243, 250,284,504, 514,515,530, 531	-----	MCR03EZHZJ182 1.8KΩ 1/16W			21	21	21	21	21					
R51,204~206	-----	MCR03EZPFJ2202 22KΩ 1/16W		R51: 4T only	4	4	3	3	4					
R63,181~183, 229,236,239, 272,276,285, 290	-----	MCR03EZHZJ100 10Ω 1/16W			11	11	11	11	11					
R111,156	-----	MCR03EZPFJ1202 12KΩ 1/16W			2	2	2	2	2					
R117~121,172, 173	-----	MCR25JZHZJ221 220Ω 1/4W			7	7	7	7	7					
R151,171,194, 323,371,372	-----	MCR25JZHZJ000 0Ω 1/4W			6	6	6	6	6					
R157~162	-----	MCR03EZHZJ820 82Ω 1/16W		R157~160: 4T only	6	6	2	2	6					
R164,279	-----	MCR03EZHZJ560 56Ω 1/16W		R164: 4T only	2	2	1	1	2					
R164,328,334, 339	-----	MCR03EZHZJ470 47W 1/16W		R164: 5T only	3	3	4	4	3					
R168-170	-----	MCR03EZPFJ1001 1KΩ 1/16W		Added: 10/03	3	3	3	3	3					
R197	-----	MCR50JZHZJ332 3.3KΩ 1/2W			1	1	1	1	1					
R201~203	-----	MCR25JZHZJ121 120Ω 1/4W			3	3	3	3	3					
R212,221,226, 527~529,556~ 559	-----	MCR03EZHZJ151 150Ω 1/16W			10	10	10	10	10					
R213~215	-----	MCR03EZPFJ3302 33KΩ 1/16W			3	3	3	3	3					
R216	-----	MCR03EZHZJ333 33KΩ 1/16W			1	1	1	1	1					
R228	-----	MCR03EZHZJ124 120KΩ 1/16W			1	1	1	1	1					
R233	-----	MCR03EZHZJ682 6.8KΩ 1/16W			1	1	1	1	1					
R234	-----	MCR03EZHZJ824 820KΩ 1/16W			1	1	1	1	1					
R240,244	-----	MCR03EZHZJ224 220KΩ 1/16W			2	2	2	2	2					
R242	-----	MCR03EZHZJ822 8.2KΩ 1/16W			1	1	1	1	1					
R256,281	-----	MCR03EZHZJ683 68KΩ 1/16W			2	2	2	2	2					

50. MAIN PC BOARD ASS'Y 6

EO8-33012A  
 B-SX4T/SX5T SERIES FEB., 2003  
 (Revision Date: Apr. 13, 2005)

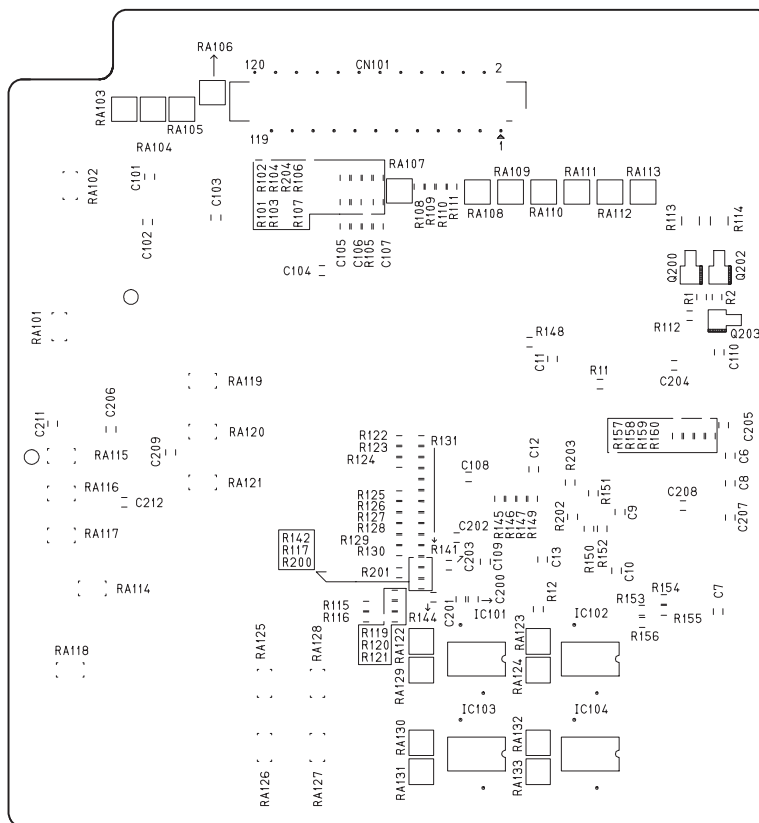
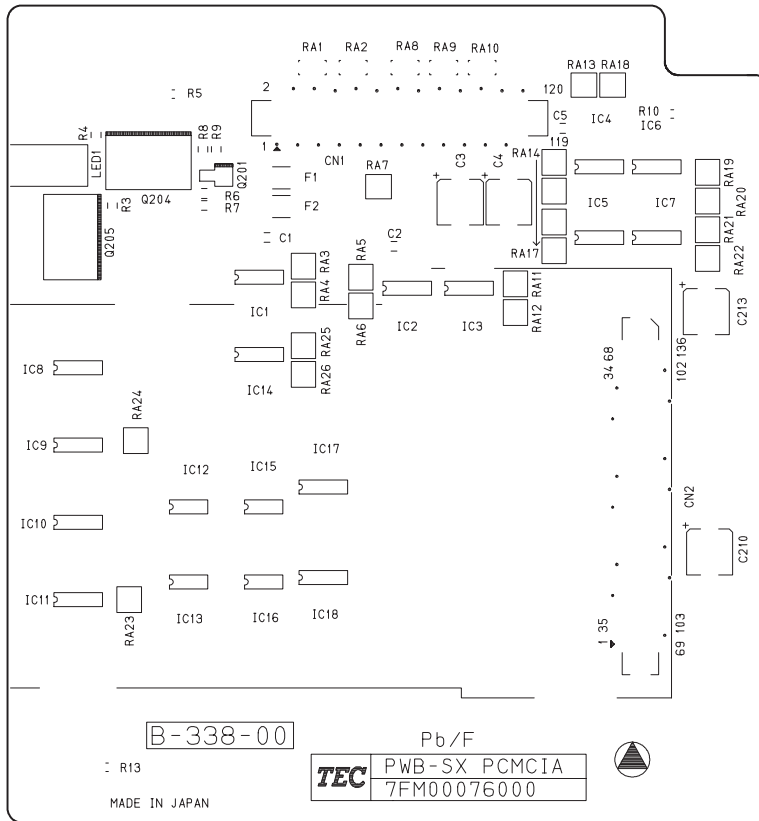
Ref. No.	Part No.	Description	RoHS	Remarks	A	B	C	D	E	F	G	H	I	Recommended Parts
R259	-----	MCR100JZHF1500 150Ω 1W			1	1	1	1	1					
R261	-----	MCR100JZHJ391 390Ω 1W			1	1	1	1	1					
R266,280	-----	MCR03EZHJ153 15KΩ 1/16W			2	2	2	2	2					
R275	-----	MCR03EZHJ223 22KΩ 1/16W			1	1	1	1	1					
R277	-----	MCR03EZPFX8200 820Ω 1/16W			1	1	1	1	1					
R282	-----	MCR03EZPFX3002 30KΩ 1/16W			1	1	1	1	1					
R286	-----	MCR03EZPFX2401 2.4KΩ 1/16W			1	1	1	1	1					
R287	-----	MCR03EZPFX3900 390Ω 1/16W			1	1	1	1	1					
R321	-----	MCR03EZPFX1000 100Ω 1/16W			1	1	1	1	1					
R328,334,339	-----	MCR03EZHJ470 47Ω 1/16W			3	3	3	3	3					
R354,551,552	-----	MCR03EZHJ681 680Ω 1/16W			3	3	3	3	3					
R526	-----	MCR50JZHJ680 68Ω 1/2W			1	1	1	1	1					
R532	-----	MCR25JZHJ472 4.7KΩ 1/4W			1	1	1	1	1					
R570	-----	MCR03EZHJ473 47KΩ 1/16W			1	1	1	1	1					
		<b>&lt; MOF RSTR. &gt;</b>												
R534	-----	RSMF2TB330J 33Ω 2W			1	1	1	1	1					
R550	-----	RSMF2TB102J 1KΩ 2W			1	1	1	1	1					
		<b>&lt; RSTR. Array &gt;</b>												
RA1,5,6,9,12~ 14,17,19,21, 501	D0-00171004 D0-23073001	RNA4A8E103JT 10KΩx8		Changed: 4/05	11	11	11	11	11					
RA2,4,7,8,10, 11,15,16,18, 20,22~26	D0-01222004 D0-20268001	MNR14E0ABJ680 68Ωx4/D	R	R10,11,15,16: 5T only Changed: 4/05	11	11	15	15	11					
RA502	D0-01216004 D0-20289001	MNR14E0ABJ470 47Ωx4/D	R	Changed: 4/05	1	1	1	1	1					
RA503	D0-05418004 D0-20263001	MNR14E0ABJ101 100Ωx4/D	R	Changed: 4/05	1	1	1	1	1					
RA504	D0-01201004 D0-20280001	MNR14E0ABJ103 10KΩx4/D	R	Changed: 4/05	1	1	1	1	1					
RA505	D0-01204004 D0-20361001	MNR14E0ABJ151 150Ωx4/D	R	Changed: 4/05	1	1	1	1	1					
		<b>&lt; CONN. &gt;</b>												
CN1	E0-05621000	57RE-40360-730B(D29A) 36P			1	1	1	1	1					
CN2	E0-04637000	17LE-13250-27(D4AK) 25P			1	0	1	0	0					
	E0-04639000	17LE-13250-27(D4CK) 25P			0	1	0	1	1					
CN3	E0-01443000	DF11-18DP-2DSA 18P			1	1	1	1	1					
CN4	E0-01071000	53014-0311 3P			1	1	1	1	1					
CN7	E0-01650000	FX8C-120P-SV6(21) 120P			1	1	1	1	1					
	E0-01650001	FX8C-120P-SV6 (22)		Interchangeable										
CN11	E0-00615000	53014-0310 3P	R		1	1	1	1	1					
CN12	E0-00614000	53014-0210 2P	R		1	1	1	1	1					
CN13	E0-01613000	DF3A-2P-2DSA 2P			1	1	1	1	1					
CN14	E0-01616000	DF3A-8P-2DSA 8P			1	1	1	1	1					

50. MAIN PC BOARD ASS'Y 7

E08-33012A  
 B-SX4T/SX5T SERIES FEB., 2003  
 (Revision Date: Apr. 13, 2005)

Ref. No.	Part No.	Description	RoHS	Remarks	A	B	C	D	E	F	G	H	I	Recommended Parts
CN15	E0-00621000	53014-0910 9P	R		1	1	1	1	1					
CN16	E0-00618000	53014-0610 6P	R		1	1	0	0	1					
	E0-01078000	53014-0612 6P	R		0	0	1	1	0					
CN17	E0-01611000	DF3A-14P-2DSA 14P			1	1	1	1	1					
CN18	E0-01964000	IL-S-2P-S2T2-EF 2P	R		1	1	1	1	1					
CN19	E0-05137000	5569-10A1 10P	R		1	1	1	1	1					
CN20	E0-00616000	53014-0410 4P	R		1	1	1	1	1					
CN23	E0-02488000	DF11-20DP-2DSA 20P			1	1	1	1	1					
CN50	E0-05280000	DF3A-3P-2DSA 3P			1	1	1	1	1					
CN51	E0-00798000	53313-2415 24P			1	1	1	1	1					
CN52	E0-01442000	DF11-16DP-2DSA 16P			1	1	1	1	1					
CN53	E0-00645000	5267-02A-X 2P	R		1	1	1	1	1					
J1,2	E0-04239000	CONN. IMSA-9202B-1-02-T 2P			2	2	2	2	2					
F51	E0-03836001	Fuse 0451 03.5MR			1	1	1	1	1					D
F53,54	E0-03832001	Fuse 0451 002MR			2	2	2	2	2					D
F55	E0-03828001	Fuse 0451.500MR			1	1	1	1	1					D
NF51	D0-05469001	Noise Filter NFM41CC223R2A3L	R		1	1	1	1	1					D
NF52	D0-05466001	Noise Filter NFM41PC204F1H3L	R		1	1	1	1	1					D
TA1,2	<del>C0-05444004</del> C0-08787001	XISTOR. Array RN4605(TE85L) XISTOR. Array RN4605(TE85L F)	R	Changed: 4/05	2	2	2	2	2					
TH1	<del>D0-05511000</del> D0-22855000	Thermistor PTFM04BE222Q2N34B0	R	Changed: 4/05	1	1	1	1	1					
SMW-3x6	X0-00056000	Double Sems Screw M-3x6		Secures TH1.	1	1	1	1	1					
X1	D0-14147001	Crystal CSTCV19M6X54J-R0			1	1	1	1	1					E
X2	D0-04631000	Crystal AT-49 7.3728MHZ			1	1	1	1	1					E
SMW-3x10	7FM00225000 X0-00091000	Heat Sink B Double Sems Screw M-3x10		Secure the Heat Sink B.	1 2	1 2	1 2	1 2	1 2					
SMW-3x8	7FM00025000 X0-00078000	Heat Sink A Double Sems Screw M-3x8		Secure the Heat Sink A.	1 2	1 2	1 2	1 2	1 2					
	7FM00019000	Shield Plate			1	1	1	1	1					
<p>NOTE:                      From the production of March, 2004 (Serial No. 4Exxxxxx or later), Pin 7 of CN23 and Pin 1 of CN17 has been short-circuited by a jumper wire.</p>														

51 PCMCIA PC BOARD ASS'Y



## 51. PCMCIA PC BOARD ASS'Y 1

EO8-33012A  
 B-SX4T/SX5T SERIES FEB., 2003  
 (Revision Date: Jun. 7, 2006)

Ref. No.	Part No.	Description	Remarks	A	B	C	D	E	F	Recommended Parts
	7FM00002000	PCMCIA PC Board Ass'y (Service No. B-338-00)		1						E
IC1-7,14,17	C0-01548001	CMOS IC TC74VHCT244AFT(EL)		9						E
IC8,10	C0-02838001	CMOS IC SN74LV273APWR		2						E
IC9,11,18	C0-02833001	CMOS IC SN74LV244APWR		3						E
IC12	C0-02782001	CMOS IC SN74LV04APWR		1						
IC13	C0-02787001	CMOS IC SN74LV08APWR		1						
IC101-104	C0-01293001	TC74LVX4245FS(EL)		4						E
Q200-203	C0-00221001	Chip XISTR. DTC123JUAT106		4						
Q204,205	C0-06650001	XISTOR. 2SJ499-TL		2						
		<b>&lt; Chip RSTR. &gt;</b>								
R1,6,9,105,112, 117,144	-----	MCR03EZHJ000 0Ω 1/16W		7						
R2-4,8,115,116, 119,123-126,129, 130,142,145,149, 153,158,202-204	-----	MCR03EZHJ103 10KΩ 1/16W		21						
R5,10,13	-----	MCR10EZHJ000 0Ω 1/10W		3						
R11,102,104,106, 108,110,127,200, 201	-----	MCR03EZHJ104 100KΩ 1/16W		9						
R113,114	-----	MCR25JZHJ221 220Ω 1/4W		2						
R101,103,107,109, 111,120,121,132- 134,136-138,140, 141,146-148,150, 154-157,159,160	-----	MCR03EZHJ680 68Ω 1/16W		25						
		<b>&lt;RSTR. Array&gt;</b>								
RA1,2,8-10	D0-00173001	RNA4A8E104JT 100kΩ x 8		5						
RA3-6,11-26,103- 111,113,122-124, 129-133	D0-01222001	MNR14E0ABJ680 68Ω x 4/D		38						
RA7,112	D0-01202001	MNR14E0ABJ104 100KΩ x 4/D		2						
RA101,102,114- 121,125-128	D0-00171001	RNA4A8E103JT 10KΩ x 8		14						
		<b>&lt;Chip CAP.&gt;</b>								

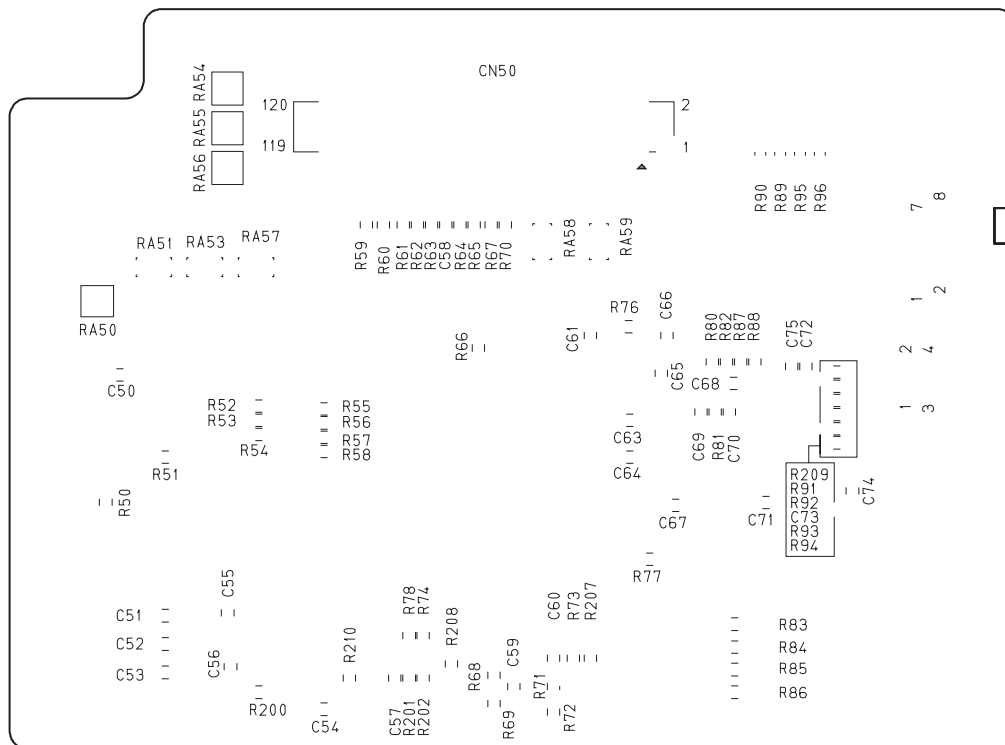
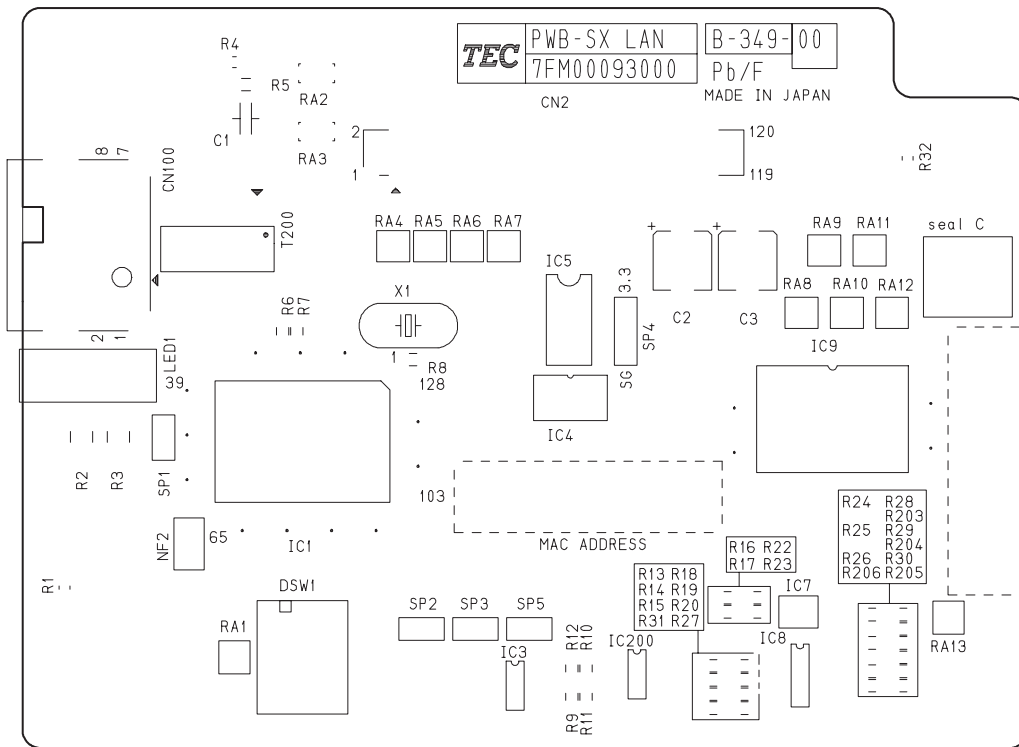
51. PCMCIA PC BOARD ASS'Y 2

EO8-33012A  
 B-SX4T/SX5T SERIES FEB., 2003  
 (Revision Date: Jun. 7, 2006)

Ref. No.	Part No.	Description	Remarks	A	B	C	D	E	F	Recommended Parts
C1,2,5-13,101-104 108-110	-----	GRM188B11H103KA01D 0.01μF 50V		18						
C3,4,210,213	-----	MKA10VC100MF80 100μF 10V		4						
C105-107,200-209	-----	GRM1882C1H100JZ01D 10PF 50V		13						
C211,212	-----	GRM188B11C104KA01D 0.1μF 16V		2						
		<b>&lt; CONN. &gt;</b>								
CN1	E0-01650000	FX8C-120P-SV6(21) 120P		1						
	E0-01650001	FX8C-120P-SV6(22) 120P	Interchangeable							
CN2	E0-04521000	53485-1409 136P		1						
CN101	E0-01651000	FX8C-120S-SV5 120P		1						
	E0-01651001	FX8C-120S-SV5(22)	Interchangeable							D
F1,2	E0-03721001	Fuse 'MINISMDC100-02		2						E
LED1	C0-05735000	LED L-1503EB/2GD		1						
	7FM00272000	SHEET-PRT-PCM-SX		2						
SMW-3x6	X0-00056000	Double Sems Screw M-3x6		2						
	7FM00210000	ATC-PLATE-PCMCIA-SX		1						
SMW-2x6	X0-00014000	Double Sems Screw M-2x6		2						
N-2	X0-00840000	Nut M-2		2						
SMW-2x16	X0-00035000	Double Sems Screw M-2x16		2						
	E0-06504000	PCMCIA CONN. 53514-1364		1						



52 LAN PC BOARD ASS'Y



52. LAN PC BOARD ASS'Y 1

EO8-33012A  
 B-SX4T/SX5T SERIES FEB., 2003  
 (Revision Date: Jun. 20, 2006)

Ref. No.	Part No.	Description	RoHS	Remarks	A	B	C	D	E	Recommended Parts
	7FM00005000	LAN PC Board Ass'y (Service No. B-349-00)			1					E
IC1	<del>C0-06648000</del> C0-13503000	<del>QFP128P-LAN91C111-NC</del> LAN91C111-NS REV.C		Changed: 6/'06	1					E
IC3	<del>C0-02782004</del> C0-11646001	CMOS,TSSOP14P SN74LV04APWR	R	Changed:9/'05	1					E
IC4	<del>C0-04554004</del> C0-09371001	<del>SOP8P-M93C46-WMN6T</del> SOP8P M93C46-WMN6TP	R	Deleted: 6/'06 Added: 9/'05	1					E
IC7	<del>C0-01381004</del> C0-08607001	<del>CMOS,SOP5P-TC7SH08F(TE85L)</del> CMOS, SOP5P TC7SH08F(TE85L F)	R	Changed:9/'05	1					E
IC8	<del>C0-02833004</del> C0-11705001	CMOS,TSSOP20P SN74LV244APWR	R	Changed:9/'05	1					E
IC200	<del>C0-02796004</del> C0-11661001	CMOS,TSSOP14P SN74LV125APWR	R	Changed:9/'05	1					E
		<b>&lt; Chip CAP. &gt;</b>								
C1	-----	DEBB33D102KN2A 1000PF2KV	R		1					
C2,3	-----	UWX1A470MCR1GB 47μF10V			2					
C51~54,58,60, 75	-----	GRM1882C1H100JZ01D 10PF50V	R		7					
C55~57,59,63~ 65,67~74	-----	GRM188B11H103KA01D 0.01μF50V	R		15					
C61,66	-----	GRM1882C1H300JD01D 30PF50V	R		2					
		<b>&lt; Chip RSTR. &gt;</b>								
R1,4,32	-----	MCR10EZHZJ000 0Ω 1/10W	R		3					
R2,3	-----	MCR25JZHZJ221 220Ω 1/4W	R		2					
R5	-----	MCR18EZHZJ000 0Ω 1/8W	R		1					
R6,7,87,88	-----	MCR03EZPFZ24R9 24.9Ω 1/16W	R		4					
R8~10,62,63, 69,77,202	-----	MCR03EZHZJ000 0Ω 1/16W	R		8					
R13,14,16,17, 65,67,70,72, 73,78,201,208	-----	MCR03EZHZJ104 100KΩ 1/16W	R		12					
R15,209	-----	MCR03EZHZJ102 1KΩ 1/16W	R		2					
R18~20,22,23, 64,71,74,203 ~207	-----	MCR03EZHZJ680 68Ω 1/16W	R		13					
R24~27	-----	MCR03EZHZJ220 22Ω 1/16W	R		4					
R66,91~94	-----	MCR03EZHZJ103 10KΩ 1/16W	R		5					

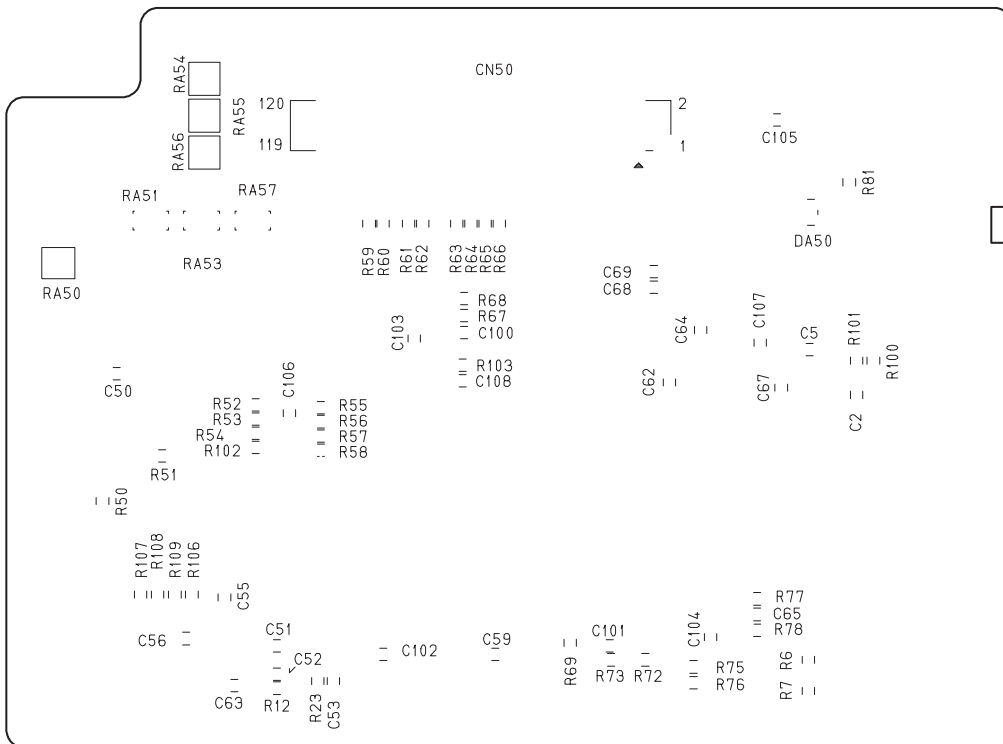
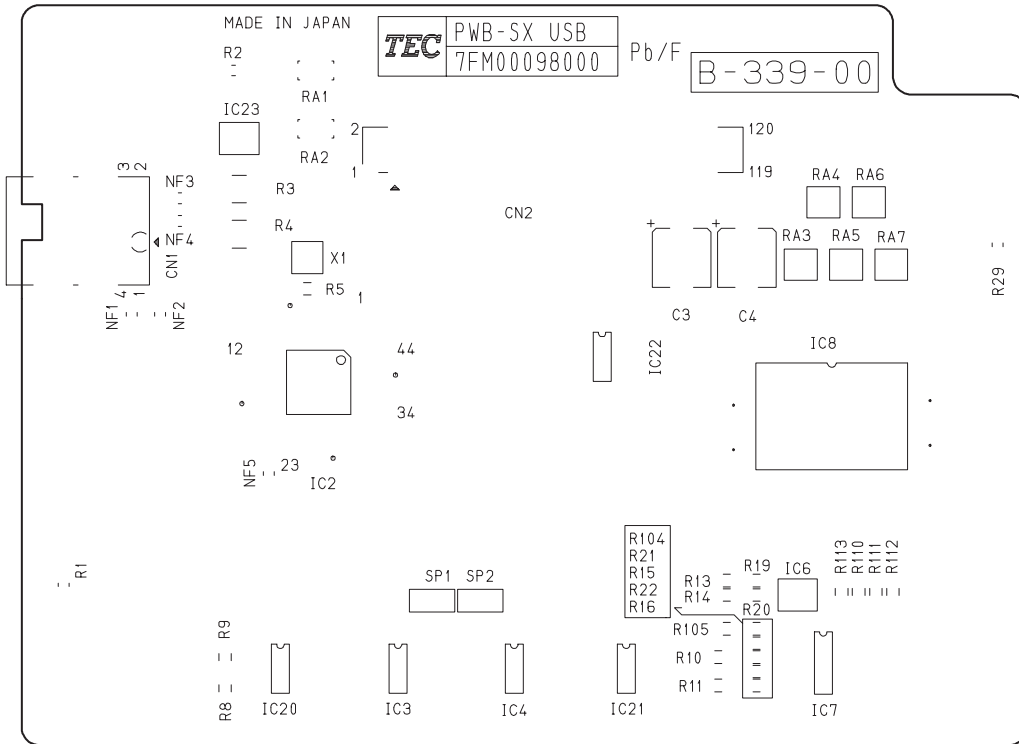
A: B-9700-LAN-QM

52. LAN PC BOARD ASS'Y 2

EO8-33012A  
 B-SX4T/SX5T SERIES FEB., 2003  
 (Revision Date: Jun. 20, 2006)

Ref. No.	Part No.	Description	RoHS	Remarks	A	B	C	D	E	Recommended Parts
R76	-----	MCR03EZHJ105 1MΩ 1/16W	R		1					
R80,82	-----	MCR03EZPFX49R9 49.9Ω 1/16W	R		2					
R81	-----	MCR03EZPFX1102 11KΩ 1/16W	R		1					
R89,90,95,96	-----	MCR10EZHJ750 75Ω 1/10W	R		4					
		<b>&lt; RSTR. Array &gt;</b>								
RA1	<del>D0-01201004</del> D0-20280001	MNR14E0ABJ103 10KΩ x 4/D	R	Changed:9/'05	1					
RA2,3,51,53, 57~59	<del>D0-00173004</del> D0-23074001	RNA4A8E104JT 100KΩ x 8		Changed:9/'05	7					
RA4~12,50,54~ 56	<del>D0-05419004</del> D0-20368001	MNR14E0ABJ220 22Ω x 4/D	R	Changed:9/'05	13					
RA13	<del>D0-01202004</del> D0-20283001	MNR14E0ABJ104 100KΩ x 4/D	R	Changed:9/'05	1					
		<b>&lt; CONN. &gt;</b>								
CN50	E0-01651000 E0-01651001	FX8C-120S-SV5 120PF FX8C-120S-SV5 (22)		Interchangeable	1					
CN100	E0-01731000	TM11R-5C-88 8PF			1					
LED1	<del>C0-05735000</del> C0-12897000	LED L-1503EB/2GD		Changed: 6/'06	1					
NF2	D0-07444001	Noise Filter STC104B	R		1					D
T200	D0-16152001	Transformer TG110-S050N2.TR			1					
X1	D0-16208000	Crystal XTL221500HIK-25MHZ-20-BK			1					E
SMW-3x5	7FM00208000 X0-00047000	Shield Plate Double Sems Screw M-3x5	R	For securing the Shield Plate.	1 2					

**53** USB BOARD ASS'Y



## 53. USB PC BOARD ASS'Y 1

EO8-33012A  
 B-SX4T/SX5T SERIES FEB., 2003  
 (Revision Date: Jun. 7, 2006)

Ref. No.	Part No.	Description	Remarks	A	B	C	D	E	F	Recommended Parts
	7FM00006000	USB PC Board Ass'y (Service No. 339-00)		1						E
IC2	C0-03463000	QFP44P ML60851DGA		1						E
IC3,21	C0-02843000	CMOS,TSSOP14P SN74LV32APW		2						E
IC4	C0-02782001	CMOS,TSSOP14P SN74LV04APWR		1						E
IC6	C0-01381001	CMOS,SOP5P TC7SH08F(TE85L)		1						E
IC7	C0-02833001	CMOS,TSSOP20P SN74LV244APWR		1						E
IC20	C0-02796000	CMOS,TSSOP14P SN74LV125APW		1						E
IC22	C0-02875000	CMOS,TSSOP14P SN74LV74APW		1						E
IC23	C0-01552001	SOP5P TC7S66F(TE85L)		1						E
		<b>&lt; Chip CAP. &gt;</b>								
C2,62,64,67, 100,107	-----	GRM188B11C104KA01D 0.1μF16V		6						
C3,4	-----	MKA10VC100MF80 100μF10V		2						
C5,51~53,63, 65,108	-----	GRM1882C1H100JZ01D 10PF50V		7						
C50,55,56,59, 101~105	-----	GRM188B11H103KA01D 0.01μF50V		9						
C68,69	-----	GRM1882C1H220JZ01D 22PF50V		2						
		<b>&lt; Chip RSTR. &gt;</b>								
R1,2,29	-----	MCR10EZHZJ000 0Ω 1/10W		3						
R3,4	-----	MCR50JZHZJ220 22Ω 1/2W		2						
R5,100	-----	MCR03EZHZJ105 1MΩ 1/16W		2						
R6,7,61,104	-----	MCR03EZHZJ000 0Ω 1/16W		4						
R10~14,64~66, 68,69,72,77, 106~109	-----	MCR03EZHZJ104 100KΩ 1/16W		16						
R15,16,19,20, 63,67,73,75, 103,110	-----	MCR03EZHZJ680 68Ω 1/16W		10						
R21~23,102, 113	-----	MCR03EZHZJ220 22Ω 1/16W		5						
R58,76,105	-----	MCR03EZHZJ103 10KΩ 1/16W		3						
R78,111,112	-----	MCR03EZHZJ151 150Ω 1/16W		3						
R81	-----	MCR03EZHZJ152 1.5KΩ 1/16W		1						
R101	-----	MCR03EZHZJ224 220KΩ 1/16W		1						
		<b>&lt; RSTR. Array &gt;</b>								

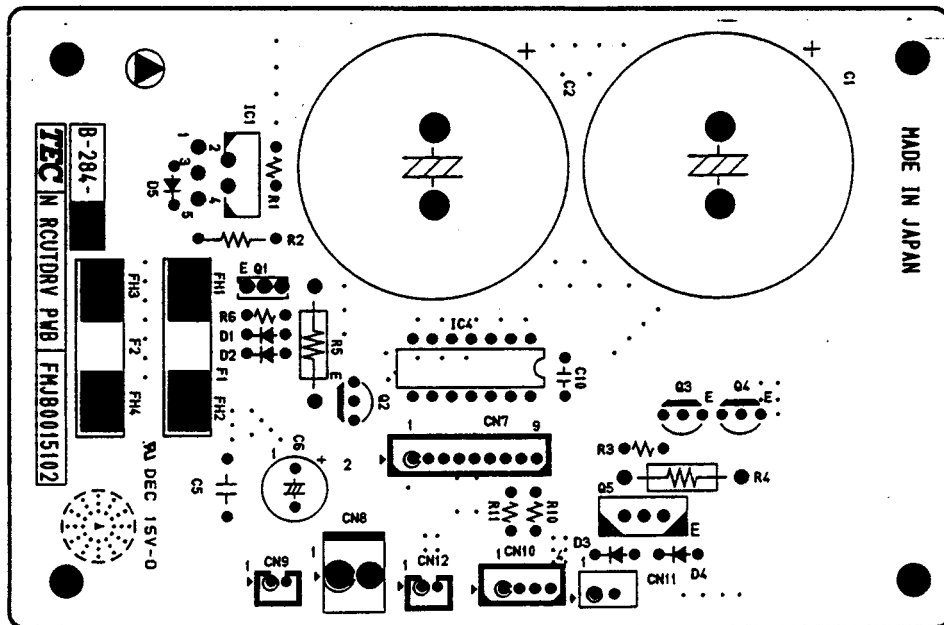
A: B-9700-USB-QM

## 53. USB PC BOARD ASS'Y 2

EO8-33012A  
 B-SX4T/SX5T SERIES FEB., 2003  
 (Revision Date: Jun. 7, 2006)

Ref. No.	Part No.	Description	Remarks	A	B	C	D	E	F	Recommended Parts
RA1,2,51,53, 57	D0-00173001	RNA4A8E104JT 100K $\Omega$ x 8		5						
RA3~7	D0-05419001	MNR14E0ABJ220 22 $\Omega$ x 4/D		5						
RA50,54~56	D0-01216001	MNR14E0ABJ470 47 $\Omega$ x 4/D		4						
		< CONN. >								
CN1	E0-05175000	DUSB-BRA42-T11(D2) 4P		1						
CN50	E0-01651000	FX8C-120S-SV5 120P		1						
	E0-01651001	FX8C-120S-SV5 (22)	Interchangeable							
DA50	C0-03049001	Diode Array NNCD6.2LG(1)-T1		1						
NF1,2,5	D0-04462001	Noise Filter BLM21PG221SN1D		3						D
NF3,4	D0-04456001	Noise Filter BLM21BB151SN1D		2						D
X1	D0-16142001	Crystal CSTCW48M0X11016-R0		1						E
	7FM00209000	Shield Plate		1						
SMW-3x5	X0-00047000	Double Sems Screw M-3x5	Secure the Shield Plate.	2						

54 ROTARY CUTTER PC BOARD ASS'Y



## 54.ROTARY CUTTER PC BOARD ASS'Y 1

EO8-33012A  
B-SX4T/SX5T SERIES FEB., 2003  
(Revision Date: Sep. 16, 2005)

Ref. No.	Part No.	Description	RoHS	Remarks	A	B	C	D	E	Recommended Parts
	-----	Rotary Cutter PC Board Ass'y (Service No. B-284-01)			1					E
IC1	CAG-0732001- C0-00052000 C0-09609000	Regulator SI-3240C Regulator SI-3240C		Deleted:8/05 Added:3/04	1					E
IC4	GAM-000401A- C0-06138000 C0-08388000	CMOS IC TC74HC04AP CMOS IC TC74HC04AP CMOS IC TC74HC04AP(F)	R	Deleted:8/05 Added:3/04 Changed:8/05	1					E
		<b>&lt;XISTOR.&gt;</b>								
Q1	GBA-0381001- C0-02157000 C0-07889000	2SB1202 2SB1202 2SB1202S/T-E		Deleted:8/05 Added:3/04 Added: 9/05	1					
Q2,3	GBC-0014001- C0-00649001 C0-08765001	RN1201 RN1201(TPE4) RN1201(TPE4 F)	R	Deleted:8/05 Added:3/04 Changed:8/05	2					
Q4	GBC-0049001- C0-00672000 C0-08871000	RN2222 RN2222 RN2222(F)	R	Deleted:8/05 Added:3/04 Changed: 9/05	1					
Q5	GBA-0157001- C0-00582000 C0-11138000	2SD2075 2SD2075A 2SD2075A(F)	R	Deleted:8/05 Added:3/04 Changed: 9/05	1					
D1-5	CBE-0085001- C0-00011001 C0-09544001	Diode AM01Z Diode AM01ZV1	R	Deleted:8/05 Added:3/04 Changed:8/05	5					
		<b>&lt;Carbon Film RSTR.&gt;</b>								
R1	-----	RDM14TS391J 930Ω	R		1					
R2	-----	RDM14TS622J 6.2KΩ	R		1					
R3,6,10	-----	RDM14TS103J 10KΩ	R		3					
R11	-----	RDM14TS221J 220Ω	R		1					
		<b>&lt;MOF RSTR.&gt;</b>								
R4	-----	RSM1FB47ΩJ			1					
R5	-----	RSM1FB1KΩJ			1					
C1,2	-----	Electrolytic CAP. GETSW1V223M			2					
	-----	Electrolytic CAP. SMH35VNSN22000M35E		Changed:8/05						
C5	-----	Film CAP. CQ92M1H334KB			1					

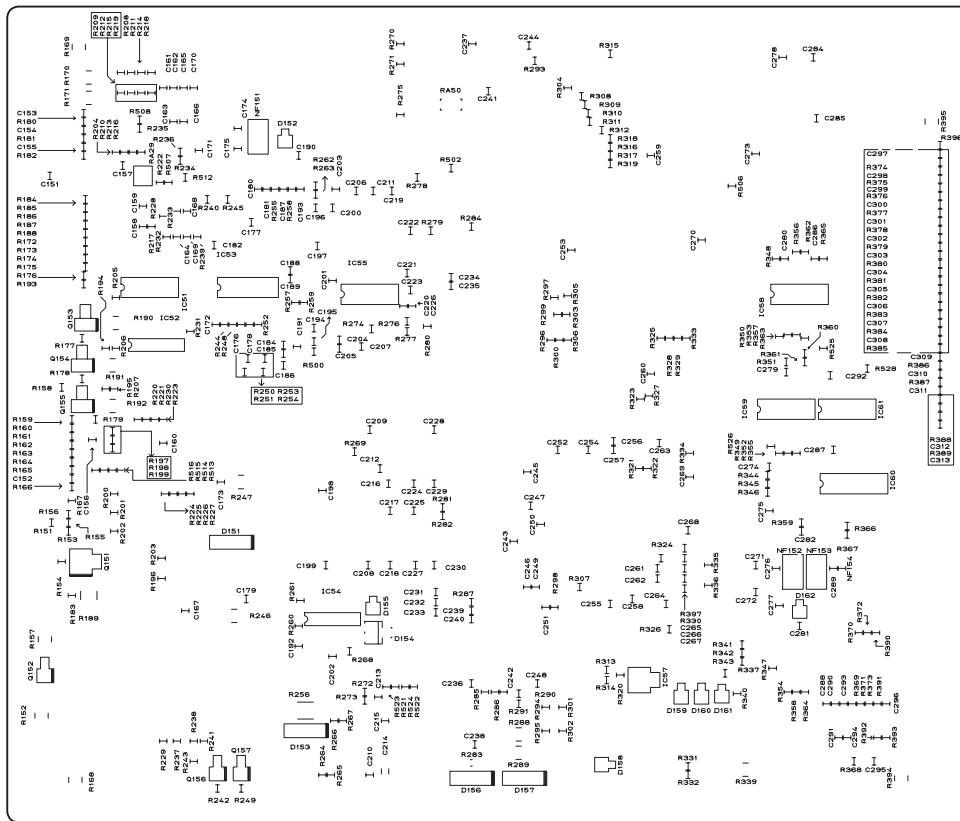
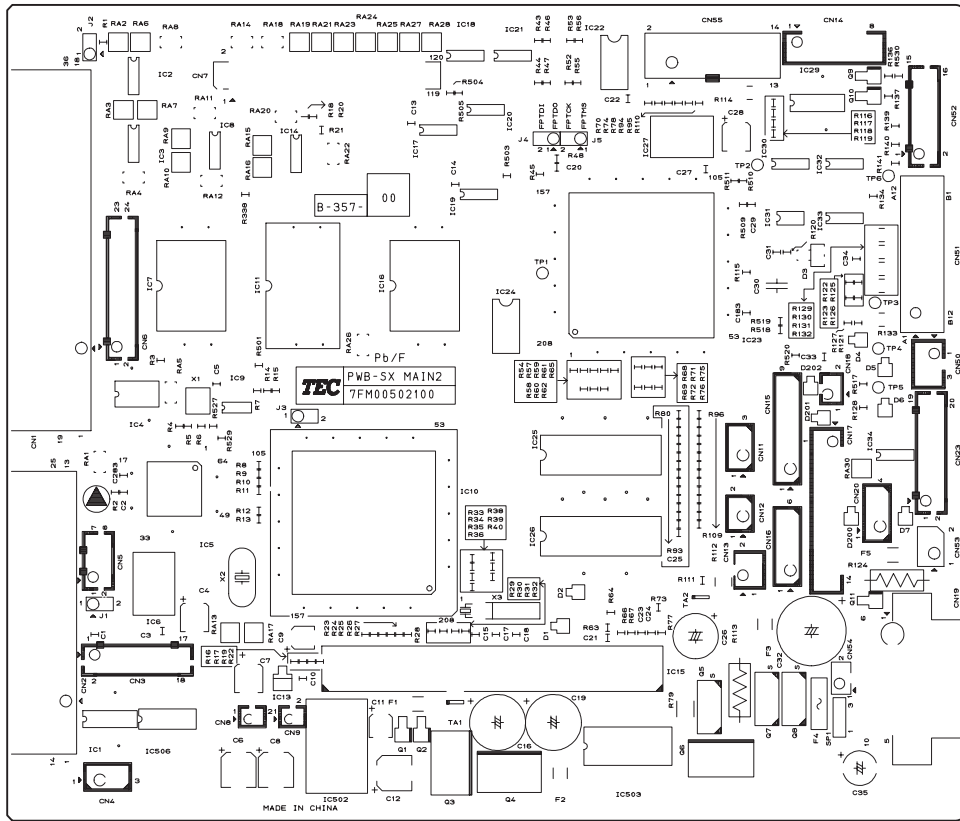
A: B-8204-QM



54.ROTARY CUTTER PC BOARD ASS'Y 2

EO8-33012A  
 B-SX4T/SX5T SERIES FEB., 2003  
 (Revision Date: Sep. 16, 2005)

Ref. No.	Part No.	Description	RoHS	Remarks	A	B	C	D	E	Recommended Parts
C6	-----	Electrolytic CAP. CEDSM1H101M			1					
	-----	Electrolytic CAP. TC04RSMG50VB100MF50E0	R	Changed:8/'05						
C10	-----	Ceramic CAP. DD106-999F103Z50			1					
	-----	Ceramic CAP. RPEF11H103Z2M1A01A	R	Added:8/'05						
		<b>&lt;CONN.&gt;</b>								
CN7	EAA-0520001-	53014-0910		Deleted:8/'05	1					
	E0-00621000	53014-0910	R	Added:3/'04						
CN8	EAA-2144001	B2P-VH			1					
	E0-00312000	B2P-VH		Added:3/'04						
	E0-07475000	B2P-VH (LF)	R	Changed:8/'05						
CN9	EAA-0142010-	IL-S-2P-S2T2-EF			1					
	C0-01964000	IL-S-2P-S2T2-EF	R	Added:3/'04						
CN10	EAA-0046002-	53014-0410			1					
	E0-00616000	53014-0410	R	Added:3/'04						
CN11	EAA-0060003-	5483-02AX			1					
	E0-02738000	5483-02AX	R	Added:3/'04						
CN12	EAA-0141004-	B2B-PH-K-S		Deleted:8/'05	1					
	E0-00230000	B2B-PH-K-S		Added:3/'04						
	E0-06578000	B2B-PH-K-S (LF)	R	Changed:8/'05						
F1	EHA-0101001-	Fuse SD6-1A N1		Deleted:8/'05	1					D
	E0-03521000	Fuse SD6-1A N1		Added:3/'04						
	E0-07173000	Fuse 0239 001M		Added:3/'04						
F2	EHA-0103001-	Fuse SD6-3A N1		Deleted:8/'05	1					D
	E0-03524000	Fuse SD6-3A N1		Added:3/'04						
	E0-07176000	Fuse 0239 003M		Added:3/'04						
FH1-4	EHD-0005003-	Fuse Holder PFC5000-1902		FH3,4:Added:3/'04	2					
				Deleted:8/'05						
	E0-05636000	Fuse Holder PFC5000-1902	R	Added:3/'04	4					



55.MAIN2 PC BOARD ASS'Y 1

EO8-33012A  
 B-SX4T/SX5T SERIES FEB., 2003  
 (Revision Date: Aug. 22, 2005)

Ref. No.	Part No.	Description	RoHS	Remarks	A	B	C	D	E	F	G	H	I	J	Recommended Parts
	7FM00503000	MAIN 2 PC Board Ass'y (Service No. B-357-00)		3T311411 to 4Pxxxxx	1	0	0	0	0	0	0	1	0	1	E
	7FM00503500	MAIN 2 PC Board Ass'y (Service No. B-357-05)		4Sxxxxxx or later Added: 9/04											
	7FM00503100	MAIN 2 PC Board Ass'y (Service No. B-357-01)		3T311411 to 4Pxxxxx	0	1	0	0	1	1	0	0	0	0	E
	7FM00503600	MAIN 2 PC Board Ass'y (Service No. B-357-06)		4Sxxxxxx or later Added: 9/04											
	7FM00503200	MAIN 2 PC Board Ass'y (Service No. B-357-02)		3Wxxxxxx to 4Pxxxxx	0	0	1	0	0	0	0	0	1	0	E
	7FM00503700	MAIN 2 PC Board Ass'y (Service No. B-357-07)		4Sxxxxxx or later Added: 9/04											
	7FM00503300	MAIN 2 PC Board Ass'y (Service No. B-357-03)		3Wxxxxxx to 4Pxxxxx	0	0	0	1	0	0	1	0	0	0	
	7FM00503800	MAIN 2 PC Board Ass'y (Service No. B-357-08)		4Sxxxxxx or later Added: 9/04											E
IC1	C0-04831001	CMOS IC, SSOP28P HIN211CA-T			1	1	1	1	1	1	1	1	1	1	E
IC2,3,8,14	<del>C0-02836004</del> C0-11707001	CMOS,TSSOP20P SN74LV245APWR	R	IC8,14: 5T only Changed: 4/05	2	2	4	4	2	2	4	2	4	2	E
IC4	<del>C0-01293004</del> C0-08550001	SSOP24P, TC74LVX4245FS(EL) SSOP24P, TC74LVX4245FS(EL F)	R	Changed:9/04	1	1	1	1	1	1	1	1	1	1	E
IC5	C0-05408000 C0-12159000	QFP64P, TE6138 QFP64P TE6138PF		Added: 4/05	1	1	1	1	1	1	1	1	1	1	E
IC6	<del>C0-05797004</del> C0-07077001	SOP3P, UPC2918T-E1 UPC2918T-E1-AZ	R	Changed:4/04	1	1	1	1	1	1	1	1	1	1	E
IC9	<del>C0-02787000</del> C0-11052000	CMOS TSSOP14P SN74LV08APW	R	Changed: 4/05	1	1	1	1	1	1	1	1	1	1	E
IC10	C0-05784000	QFP208P HD6417709SF100B			1	1	1	1	1	1	1	1	1	1	E
IC11	7FM00524000 7FM00525000	ASYS-SX4(V) SOFT ASYS-SX5(V) SOFT			1	1	0	0	1	1	0	1	0	1	
IC15	<del>C0-02252000</del> C0-10340000	SIP16P STK6713AMK4 SIP16P STK6713AMK4-E	R	Changed:9/04	1	1	1	1	1	1	1	1	1	1	E
IC17-21,33	<del>C0-02833000</del> C0-11705000	CMOS,TSSOP20P SN74LV244APW	R	Changed: 4/05	6	6	6	6	6	6	6	6	6	6	E
IC23	C0-07745000 C0-07746000	XC2S50-5PQ208C XC2S100-5PQ208C			1	1	0	0	1	1	0	1	0	1	E
IC24	C0-06849000 <del>C0-07001000</del> C0-09795000	M93C66-WBN6 BR93L66-W	R	Interchangeable Changed:9/04	1	1	1	1	1	1	1	1	1	1	E
(IC24)	E0-02118000	IC Socket DICF-8CS-E	R		1	1	1	1	1	1	1	1	1	1	
IC25, 26	C0-05013000 C0-04824000 C0-06771000 C0-09036000	TSOP54P MT48LC4M16A2TG-75 Y84B HY57V641620HGT-H TSOP54P MT48LC4M16A2TG-75 Y94W K4S641632H-UC75	R	IC26: 5T only Interchangeable Interchangeable Added: 4/04	1	1	2	2	1	1	2	1	2	1	E
IC27	C0-12530000 <del>C0-05798004</del> C0-07078001	HY57V641620ETP-H SOP3P UPC2925T-E4 UPC2925T-E1-AZ	R	Added: 8/05 Changed:4/04	1	1	1	1	1	1	1	1	1	1	E
IC30, 32, 34	C0-01548001 <del>C0-01951004</del> C0-09525001	CMOS,TSSOP20P TC74VHCT244AFT(EL) TSSOP 74VHCT244AMTCX	R	Interchangeable Changed:9/04	3	3	3	3	3	3	3	3	3	3	E

A: B-SX4T-GS10/20-QP B: B-SX4T-GS10/20-QQ C: B-SX5T-TS12/22-QP D: B-SX5T-TS12/22-QQ E: B-SX4T-GS10-QQ-CCS F: B-SX4T-GS10/20-QQ-US G: B-SX5T-TS12/22-QQ-US  
 H: B-SX4T-GS10/20-CN I: B-SX5T-TS12/22-CN J: SP40II

55.MAIN2 PC BOARD ASS'Y 2

EO8-33012A  
 B-SX4T/SX5T SERIES FEB., 2003  
 (Revision Date: Aug. 22, 2005)

Ref. No.	Part No.	Description	RoHS	Remarks	A	B	C	D	E	F	G	H	I	J	Recommended Parts
IC31	C0-00178004	SOP8P BA10393F-E2			1	1	1	1	1	1	1	1	1	1	E
	C0-09754001		R	Changed:9/04											
IC51	C0-05264001	SOP14P M62354FP 70ND			1	1	1	1	1	1	1	1	1	1	E
IC52, 54	C0-00175004	SOP14P BA10324AF-E2			2	2	2	2	2	2	2	2	2	2	E
	C0-09749001		R	Changed:9/04											
IC53	C0-02689004	TTL SOP16P SN74LS123NSR			1	1	1	1	1	1	1	1	1	1	E
	C0-11524001		R	Changed: 4/05											
IC55, 506	C0-05512000	TTL,SOP14P HD74LV32AFP			2	2	2	2	2	2	2	2	2	2	E
	C0-10261000		R	Changed:9/04											
IC58	C0-02705004	TTL SOP14P SN74LS14NSR			1	1	1	1	1	1	1	1	1	1	E
	C0-11544001		R	Changed: 4/05											
IC59	C0-01271004	CMOS, SOP14P TC74HCU04AF(TP1)			1	1	1	1	1	1	1	1	1	1	E
	C0-08535001	CMOS, SOP14P TC74HCU04AF(EL F)	R	Changed:9/04											
IC60	C0-02041004	TTL SOP20P SN74LS245NSR			1	1	1	1	1	1	1	1	1	1	E
	C0-11584001		R	Changed: 4/05											
IC61	C0-02508004	SOP14P SN7406NSR			1	1	1	1	1	1	1	1	1	1	E
	C0-11290001		R	Changed: 4/05											
IC502	C0-06563004	SOP,3P FAN1587AMX			1	1	1	1	1	1	1	1	1	1	E
	C0-09822001		R	Changed:9/04											
IC503	C0-07584004	TB6549F(EL)			1	1	1	1	1	1	1	1	1	1	E
	C0-08228001	TB6549FG(EL)	R	Deleted: 9/04 Interchangeable											
		<b>&lt;XISTOR.&gt;</b>													
Q1,2,9-11,152, 156,157	C0-00221004	DTC123JUAT106			8	8	8	8	8	8	8	8	8	8	
	C0-09890001		R	Changed:9/04											
Q3, 4	C0-07791004	2SK2231(TE16L)			2	2	2	2	2	2	2	2	2	2	
	C0-08739001	2SK2231(TE16L Q)	R	Changed:9/04											
Q5, 7, 8	C0-07337000	2SJ495-AZ			2	2	3	3	2	2	3	2	3	2	
Q6	C0-02184004	2SD1802S/T-TL			1	1	1	1	1	1	1	1	1	1	
	C0-07878001	2SD1802S/T-TL-E	R	Changed:8/05											
Q151	C0-07376001	2SB1115-T1-AZ			1	1	1	1	1	1	1	1	1	1	
Q153-155	C0-00163004	2SD2114KT146			3	3	3	3	3	3	3	3	3	3	
	C0-09738001		R	Changed:9/04											
D1,2,4-7,152, 155, 162, 200-202	C0-05795004	Diode 1SS372(TE85L)			12	12	12	12	12	12	12	12	12	12	
	C0-08658001	Diode 1SS372(TE85L F)	R	Changed:9/04											
D3	C0-00471001	Chip Diode 1SS187(TE85R)			1	1	1	1	1	1	1	1	1	1	
D151,153,156,157	C0-05517004	Chip Diode 1SR154-400TE25			4	4	4	4	4	4	4	4	4	4	
	C0-09669001		R	Changed:9/04											
D154	C0-00473001	Chip Diode 1SS193(TE85R)			1	1	1	1	1	1	1	1	1	1	
D158	C0-05796004	Diode 1SS395(TE85L)			1	1	1	1	1	1	1	1	1	1	
	C0-08662001	Diode 1SS395(TE85L F)	R	Changed:9/04											
		<b>&lt; Chip CAP. &gt;</b>													
C1,15,17,18,152, 160-166,169,170, 192,243,245-247,	-----	GRM188F11E104ZA01D 0.1µF			39	39	39	39	39	39	39	39	39	39	
			R												

A: B-SX4T-GS10/20-QP B: B-SX4T-GS10/20-QQ C: B-SX5T-TS12/22-QP D: B-SX5T-TS12/22-QQ E: B-SX4T-GS10-QQ-CCS F: B-SX4T-GS10/20-QQ-US G: B-SX5T-TS12/22-QQ-US  
 H: B-SX4T-GS10/20-CN I: B-SX5T-TS12/22-CN J: SP40II

55.MAIN2 PC BOARD ASS'Y 3

EO8-33012A  
 B-SX4T/SX5T SERIES FEB., 2003  
 (Revision Date: Aug. 22, 2005)

Ref. No.	Part No.	Description	RoHS	Remarks	A	B	C	D	E	F	G	H	I	J	Recommended Parts
249,250,252,254-258,263-269,290,291,293,294,296															
C2,3,172,178	-----	GRM188B11C104KA01D 0.1μF 16V	R		4	4	4	4	4	4	4	4	4	4	
C4,28	-----	MKA16VC22ME55 22μF 10V	R		2	2	2	2	2	2	2	2	2	2	
C5,13,14,21,23,25	-----	GRM188B11H103KA01D 0.01μF 50V	R	C24: Deleted 4/04	94	94	94	94	94	94	94	94	94	93	
29,31,33,34,151,156,157,159,167,168,171,174,175,177,181-187,189,191,193,195-212,215-230,235,237,238,241,242,244,248,251,253,259,270,273-280,282-289,292,295															
C6	-----	MVY16VC220MF80E0	R		1	1	1	1	1	1	1	1	1	1	
C8,12	-----	MKA10VC100MF80 100μF 10V	R		2	2	2	2	2	2	2	2	2	2	
C9,11	-----	MKA16VC10MD55 10μF 16V	R		2	2	2	2	2	2	2	2	2	2	
C27,180,188,194,234,260	-----	GRM1882C1H100JZ01D 10pF 50V	R		6	6	6	6	6	6	6	6	6	6	
C158,231-233	-----	GRM188B11H561KA01D 560pF 50V	R		4	4	4	4	4	4	4	4	4	4	
C176	-----	GRM1882C1H221JA01D 220pF 50V	R		1	1	1	1	1	1	1	1	1	1	
C190,213,281	-----	GRM188F11A105ZC01D 100μF 50V	R		3	3	3	3	3	3	3	3	3	3	
	-----	GRM188F11A105ZA01D 100μF 50V	R	Added: 4/05											
C214	-----	GRM31MB11H224KA01L	R		1	1	1	1	1	1	1	1	1	1	
C236,297-313	-----	GRM1882C1H101JA01D 100pF 50V	R		18	18	18	18	18	18	18	18	18	18	
C261,262	-----	GRM188B11H471KA01D 470pF 50V	R		2	2	2	2	2	2	2	2	2	2	
C271,272	-----	GRM1882C1H220JZ01D 22pF 50V	R		2	2	2	2	2	2	2	2	2	2	
		<b>&lt; Electrolytic CAP. &gt;</b>													
C16,19	-----	TD04RKMF50VB220MF50E1 220μF 50V	R		2	2	2	2	2	2	2	2	2	2	
C26	-----	TC04RKMF10VB470MF50E0 470μF 10V	R		1	1	1	1	1	1	1	1	1	1	
C32	-----	TD03RKZE50VB680MK30F50E1	R		1	1	1	1	1	1	1	1	1	1	
C35	-----	TC04RKMF10VB220MF50E0 220μF 10V	R		1	1	1	1	1	1	1	1	1	1	
		<b>&lt; Film CAP. &gt;</b>													
C30	-----	ECQV1H224JL 0.22μF50V	R		1	1	1	1	1	1	1	1	1	1	
C153-155	-----	Chip RSTR. MCR03EZPF2202 22KΩ	R		3	3	3	3	3	3	3	3	3	3	
		<b>&lt; Chip RSTR. &gt;</b>													
R1	-----	MCR03EZJ473 47KΩ 1/16W	R		1	1	1	1	1	1	1	1	1	1	
R2,3,36,264-266,273,307,344-346,372	-----	MCR03EZJ221 220Ω 1/16W	R		12	12	12	12	12	12	12	12	12	12	

A: B-SX4T-GS10/20-QP B: B-SX4T-GS10/20-QQ C: B-SX5T-TS12/22-QP D: B-SX5T-TS12/22-QQ E: B-SX4T-GS10-QQ-CCS F: B-SX4T-GS10/20-QQ-US G: B-SX5T-TS12/22-QQ-US  
 H: B-SX4T-GS10/20-CN I: B-SX5T-TS12/22-CN J: SP40II

55.MAIN2 PC BOARD ASS'Y 4

E08-33012A  
 B-SX4T/SX5T SERIES FEB., 2003  
 (Revision Date: Aug. 22, 2005)

Ref. No.	Part No.	Description	RoHS	Remarks	A	B	C	D	E	F	G	H	I	J	Recommended Parts
R4	-----	MCR03EZHZ330 33Ω 1/16W	R		1	1	1	1	1	1	1	1	1	1	
R5,35,57,59, 61,128,197-199, 269,365	-----	MCR03EZHZ101 100Ω 1/16W	R		11	11	11	11	11	11	11	11	11	11	
R6	-----	MCR03EZHZ105 1MΩ 1/16W	R		1	1	1	1	1	1	1	1	1	1	
R7,10,33,34,38, 39,68,69,71,72, 75,76,262,263, 278,281,282,326	-----	MCR03EZHZ220 22Ω 1/16W	R		18	18	18	18	18	18	18	18	18	18	
R8,9,11,14,15,17, 19,26,30,43,44, 46,47,52,53,55, 56,65,134,151, 153-156,172-176, 185-188,202,204, 208-210,213,216, 224-227,229,230, 240,245,248,255, 260,276,277,279, 287,300,304,308- 312,316-320,325, 327,347,350,354, 358,364,366-368, 500-520,525-529	-----	MCR03EZHZ103 10KΩ 1/16W	R		103	103	103	103	103	103	103	103	103	103	
R12,13,58,60,62, 111,116-119,183, 200,201,220,221, 223,234,242,249, 258,267,272,291, 349,352,355,374- 389,396,521-524	-----	MCR03EZHZ102 1KΩ 1/16W	R	R12: 5T only	46	46	47	47	46	46	47	46	47	46	
R16,22,115,125, 126,313,314,390	-----	MCR03EZHZ681 680Ω 1/16W	R		8	8	8	8	8	8	8	8	8	8	
R20,23,27,32,40, 80-93,96-109, 184,215,218,219, 251,253,257,270, 298,299,303,305, 306,315,323,324, 329,333,335,337, 351,359-361,363, 369,371,373,391- 393,530	-----	MCR03EZHZ000 0Ω 1/16W	R	R80-93: 5T only R96-109: 4T only	51	51	51	51	51	51	51	51	51	51	
R45,70,74,78,94, 95,110,120,196, 217,239,274,275,	-----	MCR03EZHZ472 4.7KΩ 1/16W	R		18	18	18	18	18	18	18	18	18	18	

A: B-SX4T-GS10/20-QP B: B-SX4T-GS10/20-QQ C: B-SX5T-TS12/22-QP D: B-SX5T-TS12/22-QQ E: B-SX4T-GS10-QQ-CCS F: B-SX4T-GS10/20-QQ-US G: B-SX5T-TS12/22-QQ-US  
 H: B-SX4T-GS10/20-CN I: B-SX5T-TS12/22-CN J: SP40II

55.MAIN2 PC BOARD ASS'Y 5

E08-33012A  
 B-SX4T/SX5T SERIES FEB., 2003  
 (Revision Date: Aug. 22, 2005)

Ref. No.	Part No.	Description	RoHS	Remarks	A	B	C	D	E	F	G	H	I	J	Recommended Parts
294,301,321,334,397															
R54,158-161,164,222,235,236,284,293,338	-----	MCR03EZHZJ680 68Ω 1/16W	R	R158-161: 5T only	8	8	12	12	8	8	12	8	12	8	
R63,64,66,67,73,180-182,261,268	-----	MCR03EZPFJ1002 10KΩ 1/16W	R	R67: 5T only	9	9	10	10	9	9	10	9	10	9	
R67,193-195	-----	MCR03EZPFJ2202 22KΩ	R	R67: 4T only	4	4	3	3	4	4	3	4	3	4	
R77,177-179,237,238,295,302	-----	MCR03EZHZJ100 10Ω 1/16W	R		8	8	8	8	8	8	8	8	8	8	
R79	-----	MCR100JZHZJ391 390Ω 1W	R		1	1	1	1	1	1	1	1	1	1	
R112	-----	MCR50JZHZJ680 68Ω 1/2W	R		1	1	1	1	1	1	1	1	1	1	
R121,167	-----	MCR03EZPFJ1202	R		2	2	2	2	2	2	2	2	2	2	
R122,123,211,212,214,231,341-343,370	-----	MCR03EZHZJ151 150Ω 1/16W	R		10	10	10	10	10	10	10	10	10	10	
R130-133,170,171	-----	MCR25JZHZJ221 220Ω 1/4W	R		6	6	6	6	6	6	6	6	6	6	
R136,137	-----	MCR03EZHZJ182 1.8KΩ 1/16W	R		2	2	2	2	2	2	2	2	2	2	
R139-141	-----	MCR03EZPFJ1001 1KΩ 1/16W	R		3	3	3	3	3	3	3	3	3	3	
R152,168,169,339,394,395,114	-----	MCR25JZHZJ000 0Ω 1/4W	R		6	6	6	6	6	6	6	6	6	6	
				R114: 4Sxxxxxx or later Added: 9/04	(7)	(7)	(7)	(7)	(7)	(7)	(7)	(7)	(7)	(7)	
R157,288,289	-----	MCR25JZHZJ472 4.7KΩ 1/4W	R		3	3	3	3	3	3	3	3	3	3	
R158-161,162,163	-----	MCR03EZHZJ820 82Ω 1/16W	R	R158-161: 4T only	6	6	2	2	6	6	2	6	2	6	
R165,280	-----	MCR03EZHZJ560 56Ω 1/16W	R	R165: 4T only	2	2	1	1	2	2	1	2	1	2	
R165,348,356,362	-----	MCR03EZHZJ470 47Ω 1/16W	R	R165: 5T only	3	3	4	4	3	3	4	3	4	3	
R189	-----	MCR50JZHZJ332 3.3KΩ 1/2W	R		1	1	1	1	1	1	1	1	1	1	
R190-192	-----	MCR25JZHZJ121 120Ω 1/4W	R		3	3	3	3	3	3	3	3	3	3	
R203	-----	MCR03EZHZJ333 33KΩ 1/16W	R		1	1	1	1	1	1	1	1	1	1	
R205-207	-----	MCR03EZPFJ3302 33KΩ 1/16W	R		3	3	3	3	3	3	3	3	3	3	
R228	-----	MCR03EZHZJ124 120KΩ 1/16W	R		1	1	1	1	1	1	1	1	1	1	
R232	-----	MCR03EZHZJ682 6.8KΩ 1/16W	R		1	1	1	1	1	1	1	1	1	1	
R233	-----	MCR03EZHZJ824 820KΩ 1/16W	R		1	1	1	1	1	1	1	1	1	1	
R243	-----	MCR03EZHZJ822 8.2KΩ 1/16W	R		1	1	1	1	1	1	1	1	1	1	
R244,252	-----	MCR03EZHZJ224 220KΩ 1/16W	R		2	2	2	2	2	2	2	2	2	2	
R256	-----	MCR100JZHF1500 150Ω 1W	R		1	1	1	1	1	1	1	1	1	1	
R283	-----	MCR10EZHZJ103 10KΩ 1/10W	R		1	1	1	1	1	1	1	1	1	1	
R285	-----	MCR03EZPFJ3002 30KΩ 1/16W	R		1	1	1	1	1	1	1	1	1	1	
R286	-----	MCR03EZPFJ3900 390Ω 1/16W	R		1	1	1	1	1	1	1	1	1	1	
R290	-----	MCR03EZPFJ2401 2.4KΩ 1/16W	R		1	1	1	1	1	1	1	1	1	1	
R322	-----	MCR03EZHZJ331 330Ω 1/16W	R		1	1	1	1	1	1	1	1	1	1	
R331	-----	MCR03EZPFJ1100 110Ω 1/16W	R		1	1	1	1	1	1	1	1	1	1	
R332	-----	MCR03EZPFJ1800 180Ω 1/16W	R		1	1	1	1	1	1	1	1	1	1	
R336	-----	MCR03EZPFJ1000 100Ω 1/16W	R		1	1	1	1	1	1	1	1	1	1	
		< MOF RSTR. >													

A: B-SX4T-GS10/20-QP B: B-SX4T-GS10/20-QQ C: B-SX5T-TS12/22-QP D: B-SX5T-TS12/22-QQ E: B-SX4T-GS10-QQ-CCS F: B-SX4T-GS10/20-QQ-US G: B-SX5T-TS12/22-QQ-US  
 H: B-SX4T-GS10/20-CN I: B-SX5T-TS12/22-CN J: SP40II

55.MAIN2 PC BOARD ASSY 6

E08-33012A  
 B-SX4T/SX5T SERIES FEB., 2003  
 (Revision Date: Aug. 22, 2005)

Ref. No.	Part No.	Description	RoHS	Remarks	A	B	C	D	E	F	G	H	I	J	Recommended Parts
R113	-----	RSMF2TB102J 1KΩ 2W	R		1	1	1	1	1	1	1	1	1	1	
R124	-----	RSMF2TB330J 33Ω 2W	R		1	1	1	1	1	1	1	1	1	1	
<b>&lt; RSTR. Array &gt;</b>															
RA1,4,5,8,11,12, 14,18,20,22,26,50	<del>D0-00171004</del> D0-23073001	RNA4A8E103JT 10KΩx8			12	12	12	12	12	12	12	12	12	12	
RA2,3,6,7,9,10, 15,16,19,21, 23-25,27,28	<del>D0-04222004</del> D0-20268001	MNR14E0ABJ680 68Ωx4/D	R	Changed:9/04 R9,10,15,16: 5T only Changed:9/04	11	11	15	15	11	11	15	11	15	11	
RA13	<del>D0-04204004</del> D0-20361001	MNR14E0ABJ151 150Ωx4/D	R	Changed:9/04	1	1	1	1	1	1	1	1	1	1	
RA17	<del>D0-04204004</del> D0-20280001	MNR14E0ABJ103 10KΩx4/D	R	Changed:9/04	1	1	1	1	1	1	1	1	1	1	
RA29	<del>D0-04246004</del> D0-20289001	MNR14E0ABJ470 47Ωx4/D	R	Changed:9/04	1	1	1	1	1	1	1	1	1	1	
RA30	<del>D0-05448004</del> D0-20263001	MNR14E0ABJ101 100Ωx4/D	R	Changed:9/04	1	1	1	1	1	1	1	1	1	1	
<b>&lt; CONN. &gt;</b>															
CN1	<del>E0-05621000</del> E0-08181000	<del>57RE-40360-730B(D29A) 36P</del> 57RE-40360-730B(D29A)-FA		Changed:8/05	1	1	1	1	1	1	1	1	1	1	
CN2	<del>E0-04637000</del> E0-08165000 <del>E0-04639000</del> E0-08168000	<del>17LE-13250-27(D4AK) 25P</del> 17LE-13250-27(D4AK)-FA <del>17LE-13250-27(D4CK) 25P</del> 17LE-13250-27(D4CK)-FA		Changed:8/05 Changed:8/05	1	0	1	0	0	0	0	1	1	1	
CN3	E0-01443000	DF11-18DP-2DSA 18P			1	1	1	1	1	1	1	1	1	1	
CN4	E0-01071000	53014-0311 3P			1	1	1	1	1	1	1	1	1	1	
CN7	E0-01650000 E0-01650001	FX8C-120P-SV6(21) 120P FX8C-120P-SV6(22) 120P		Interchangeable	1	1	1	1	1	1	1	1	1	1	
CN11	E0-00615000	53014-0310 3P	R		1	1	1	1	1	1	1	1	1	1	
CN12	E0-00614000	53014-0210 2P	R		1	1	1	1	1	1	1	1	1	1	
CN13	E0-01613000	DF3A-2P-2DSA 2P			1	1	1	1	1	1	1	1	1	1	
CN14	E0-01616000	DF3A-8P-2DSA 8P			1	1	1	1	1	1	1	1	1	1	
CN15	E0-00621000	53014-0910 9P	R		1	1	1	1	1	1	1	1	1	1	
CN16	E0-00618000 E0-01078000	53014-0610 6P 53014-0612 6P	R R		1 0	1 0	0 1	0 1	0 0	1 1	0 1	0 1	0 0	1 0	
CN17	E0-01611000	DF3A-14P-2DSA 14P			1	1	1	1	1	1	1	1	1	1	
CN18	E0-01964000	IL-S-2P-S2T2-EF 2P	R		1	1	1	1	1	1	1	1	1	1	
CN19	E0-05137000	5569-10A1 10P	R		1	1	1	1	1	1	1	1	1	1	
CN20	E0-00616000	53014-0410 4P	R		1	1	1	1	1	1	1	1	1	1	
CN23	E0-02488000	DF11-20DP-2DSA 20P			1	1	1	1	1	1	1	1	1	1	
CN50	E0-05280000	DF3A-3P-2DSA 3P			1	1	1	1	1	1	1	1	1	1	
CN51	<del>E0-00798000</del> E0-07763000	<del>53313-2445 24P</del> 53313-2465	R	Changed:8/05	1	1	1	1	1	1	1	1	1	1	
CN52	E0-01442000	DF11-16DP-2DSA 16P			1	1	1	1	1	1	1	1	1	1	
CN53	E0-00645000	5267-02A-X 2P	R		1	1	1	1	1	1	1	1	1	1	

A: B-SX4T-GS10/20-QP B: B-SX4T-GS10/20-QQ C: B-SX5T-TS12/22-QP D: B-SX5T-TS12/22-QQ E: B-SX4T-GS10-QQ-CCS F: B-SX4T-GS10/20-QQ-US G: B-SX5T-TS12/22-QQ-US  
 H: B-SX4T-GS10/20-CN I: B-SX5T-TS12/22-CN J: SP40II



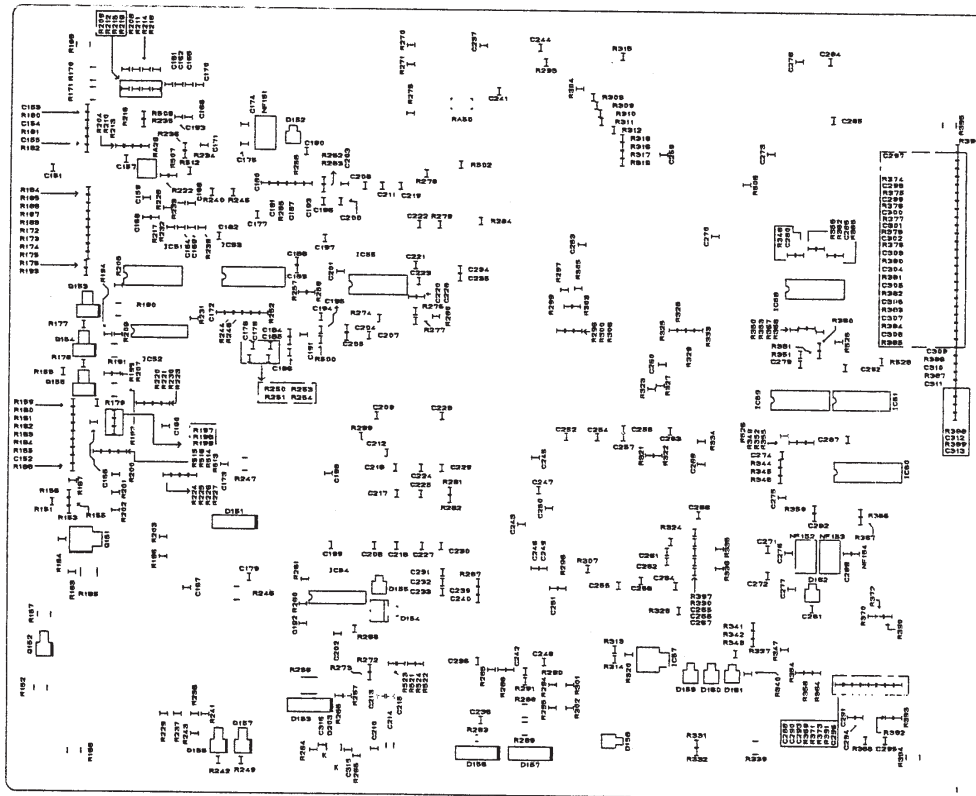
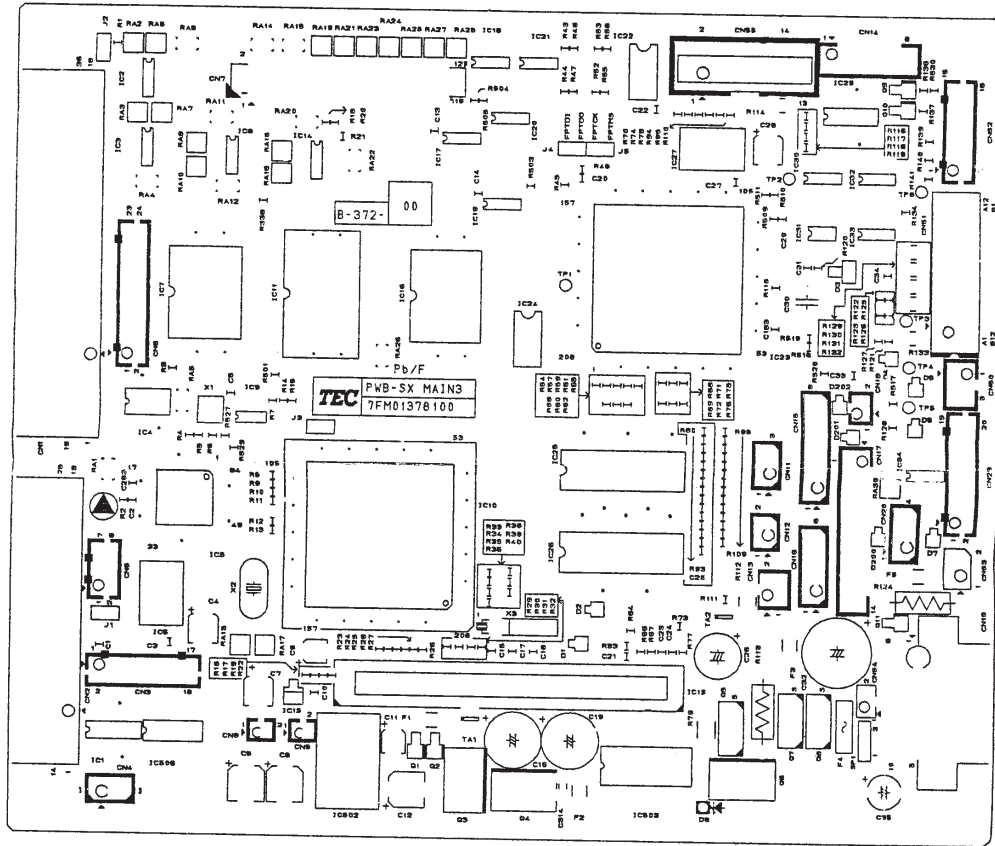
55.MAIN2 PC BOARD ASS'Y 7

E08-33012A  
 B-SX4T/SX5T SERIES FEB., 2003  
 (Revision Date: Aug. 22, 2005)

Ref. No.	Part No.	Description	RoHS	Remarks	A	B	C	D	E	F	G	H	I	J	Recommended Parts
J1,2	E0-04239000	CONN. IMSA-9202B-1-02-T-2P			2	2	2	2	2	2	2	2	2	2	
	E0-08740000	CONN. IMSA-9202B-1-02Z013-PT1	R	Changed:8/05											
F1, 2	E0-03832001	Fuse 0451 002MR			2	2	2	2	2	2	2	2	2	2	D
F3	E0-03836001	Fuse 0451 03.5MR			1	1	1	1	1	1	1	1	1	1	D
F5	E0-03828001	Fuse 0451.500MR			1	1	1	1	1	1	1	1	1	1	D
NF151	D0-05469001	Noise Filter NFM41CC223R2A3L	R		1	1	1	1	1	1	1	1	1	1	D
NF152	D0-05466001	Noise Filter NFM41PC204F1H3L	R		1	1	1	1	1	1	1	1	1	1	D
NF154	D0-07755001	Noise Filter BLM18PG600SN1D	R		1	1	1	1	1	1	1	1	1	1	D
TA1,2	C0-05444004	XISTOR. Array RN4605(TE85L)			2	2	2	2	2	2	2	2	2	2	
	C0-08787001	XISTOR. Array RN4605(TE85L F)	R	Changed:9/04											
X1	D0-14147001	Crystal CSTCV19M6X54J-R0			1	1	1	1	1	1	1	1	1	1	E
X2	D0-04631000	Crystal AT-49 7.3728MHz			1	1	1	1	1	1	1	1	1	1	E
	7FM00019000	Shield Plate			1	1	1	1	1	1	1	1	1	1	
	C0-11188001	Diode 1GWJ43 (TPA2 Q)	R	Added: 4/05 Soldered to Pin 1 of CN13	1	1	1	1	1	1	1	1	1	1	
	-----	Ceramic CAP. RPEF11H474Z3K1C01B 0.47mF 50v		Added: 4/05 Soldered to C19	1	1	1	1	1	1	1	1	1	1	
<p>NOTE:                      From the production of March, 2004 (Serial No. 4Exxxxxx or later), Pin 7 of CN23 and Pin 1 of CN17 has been short-circuited by a jumper wire.</p>															

56

MAIN 3 PC BOARD ASS'Y



Ref. No.	Part No.	Description	RoHS	Remarks	A	B	C	D	E	F	G	H	I	J	K	L	Recommended Parts
	7FM01382100	MAIN3 PC Board Ass'y (Service No. B-357-01)													0	1	E
	7FM01382200	MAIN3 PC Board Ass'y (Service No. B-357-02)													1	0	E
IC1	C0-12097001	CMOS IC, SSOP28P HIN211CAZ-T	R												1	1	E
IC2,3	C0-11707001	CMOS,TSSOP20P SN74LV245APWR	R												2	2	E
IC4	C0-08550001	SSOP24P, TC74LVX4245FS(EL F)	R												1	1	E
IC5	C0-12159000	QFP64P TE6138PF													1	1	E
IC6	C0-07077001	UPC2918T-E1-AZ	R												1	1	E
IC8,14	C0-11707001	CMOS,TSSOP20P SN74LV245APWR	R												0	2	E
IC9	C0-11052000	CMOS TSSOP14P SN74LV08APW	R												1	1	E
IC10	C0-12759000	HD6417709SF100BV	R												1	1	E
IC11	7FM01555000	ASYS-SX4(V) SOFT-R													1	0	
	7FM01556000	ASYS-SX5(V) SOFT-R													0	1	
IC15	C0-10340000	SIP16P STK6713AMK4-E	R												1	1	E
IC17-21,33	C0-11705000	CMOS,TSSOP20P SN74LV244APW	R												6	6	E
IC23	C0-12148000	XC2S50-5PQG208C	R												1	0	E
	C0-12425000	XC2S100-5PQG208C	R												0	1	E
IC24	C0-09373000	M93C66-WBN6P	R	Interchangeable											1	1	E
	C0-09795000	BR93L66-W	R	Interchangeable													
(IC24)	E0-02118000	IC Socket DICF-8CS-E	R												1	1	
IC25	C0-10518000	MT48LC4M16A2P-75G	R												1	1	E
IC26	C0-10518000	MT48LC4M16A2P-75G	R												0	1	E
IC27	C0-07078001	UPC2925T-E1-AZ	R												1	1	E
IC30, 32, 34	C0-01548001	CMOS,TSSOP20P TC74VHCT244AFT(EL)	R	Interchangeable											3	3	E
	C0-09525001	TSSOP 74VHCT244AMTCX	R	Interchangeable													
IC31	C0-09754001	SOP8P BA10393F-E2	R												1	1	E
IC51	C0-12161001	M62354GP DF0J	R												1	1	E
IC52, 54	C0-09749001	SOP14P BA10324AF-E2	R												2	2	E
IC53	C0-11524001	TTL SOP16P SN74LS123NSR	R												1	1	E
IC55, 506	C0-10261001	TTL,SOP14P HD74LV32AFPEL	R												2	2	E
IC58	C0-11544001	TTL SOP14P SN74LS14NSR	R												1	1	E
IC59	C0-08535001	CMOS, SOP14P TC74HCU04AF(EL F)	R												1	1	E
IC60	C0-11584001	TTL SOP20P SN74LS245NSR	R												1	1	E
IC61	C0-11290001	SOP14P SN7406NSR	R												1	1	E
IC502	C0-09822001	SOP,3P FAN1587AMX	R												1	1	E
IC503	C0-08228001	TB6549FG(EL)	R												1	1	E
		<XISTOR.>															
Q1,2,9-11,152,156,157	C0-09890001	DTC123JUAT106	R												8	8	
Q3, 4	C0-08739001	2SK2231(TE16L Q)	R												2	2	
Q5	C0-07337000	2SJ495-AZ	R												0	1	
Q6	C0-07878001	2SD1802S/T-TL-E	R												1	1	
Q7,8	C0-07337000	2SJ495-AZ	R												2	2	
Q151	C0-07376001	2SB1115-T1-AZ	R												1	1	
Q153-155	C0-09738001	2SD2114KT146	R												3	3	
D1,2,4-7,152,155,162,200-202	<del>C0-05795004</del> C0-08658001	Diode 1SS372(TE85L F)	R												12	12	
D3	C0-08894001	Chip Diode 1SS187(TE85L F)	R												1	1	

A: 4T-GS10/20-QP B: 4T-GS10/20-QQ C: 5T-TS12/22-QP D: 5T-TS12/22-QQ E: 4T-GS10-QQ-CCS F: 4T-GS10/20-QQ-US G: 5T-TS12/22-QQ-US  
H: 4T-GS10/20-CN I: 5T-TS12/22-CN J: SP40II K: 4T-GS20-QM-R L: 5T-TS22-QM-R

Ref. No.	Part No.	Description	RoHS	Remarks	A	B	C	D	E	F	G	H	I	J	K	L	Recommended Parts
D8	C0-11188001	Diode 1GWJ43(TPA2 Q)	R												1	1	
D151,153,156,157	C0-09669001	Chip Diode 1SR154-400TE25	R												4	4	
D154	C0-08127002	Chip Diode 1SS193(TE85L F)	R												1	1	
D158	C0-08662001	Diode 1SS395(TE85L F)	R												1	1	
D203	C0-12270001	Diode 1SS402(TE85L F)	R												1	1	
		<b>&lt; Chip CAP. &gt;</b>															
C1,15,17,18,152,160-166,169,170,192,243,245-247,249,250,252,254-258,263-269,290,291,293,294,296	-----	GRM188F11E104ZA01D 0.1μF	R												39	39	
C2,3,153-155,172,178	-----	GRM188B11C104KA01D 0.1μF 16V	R												7	7	
C4,28	-----	MKA16VC22ME55 22μF 10V	R												2	2	
C5,13,14,21,23,25,29,31,33,34,151,156,157,159,167,168,171,174,175,177,181-187,189,191,193,195-212,215-230,235,237,238,241,242,244,248,251,253,259,270,273-280,282-289,292,295	-----	GRM188B11H103KA01D 0.01μF 50V	R												93	93	
C6	-----	MVY16VC220MF80E0	R												1	1	
C8,12	-----	MKA10VC100MF80 100μF 10V	R												2	2	
C9,11	-----	MKA16VC10MD55 10μF 16V	R												2	2	
C27,180,188,194,234,260	-----	GRM1882C1H100JZ01D 10pF 50V	R												6	6	
C158,231-233	-----	GRM188B11H561KA01D 560pF 50V	R												4	4	
C176	-----	GRM1882C1H221JA01D 220pF 50V	R												1	1	
C190,213,281	-----	GRM188F11A105ZA01D 100μF 50V	R												3	3	
C214	-----	GRM31MB11H224KA01L	R												1	1	
C236,297-312,313	-----	GRM1882C1H101JA01D 100pF 50V	R												18	18	
															17	17	
C261,262	-----	GRM188B11H471KA01D 470pF 50V	R												2	2	
C271,272	-----	GRM1882C1H220JZ01D 22pF 50V	R												2	2	
C314	-----	GRM31MR71H474KA01L	R												1	1	
C315,316,313	-----	GRM188B11H102KA01D 1000pF 50V	R	C313: Changed 2/06											2	2	
															3	3	
		<b>&lt; Electrolytic CAP. &gt;</b>															
C16,19	-----	TD04RKMF50VB220MF50E1 220μF 50V	R												2	2	
C26	-----	TC04RKMF10VB470MF50E0 470μF 10V	R												1	1	
C32	-----	TD03RKZE50VB680MK30F50E1	R												1	1	
C35	-----	TC04RKMF10VB220MF50E0 220μF 10V	R												1	1	

Ref. No.	Part No.	Description	RoHS	Remarks	A	B	C	D	E	F	G	H	I	J	K	L	Recommended Parts
		< Film CAP. >															
C30	-----	ECQV1H224JL 0.22μF50V	R												1	1	
		< Chip RSTR. >															
R1	-----	MCR03EZPJ473 47KΩ 1/16W	R												1	1	
R2,3,36,264-266, 273,307,344-346, 372,365	-----	MCR03EZPJ221 220Ω 1/16W	R	R365: Changed 2/06											42	42	
R4	-----	MCR03EZPJ330 33Ω 1/16W	R												13	13	
R5,35,57,59, 61,128,197-199, 269,365	-----	MCR03EZPJ101 100Ω 1/16W	R												1	1	
R6	-----	MCR03EZPJ105 1MΩ 1/16W	R												44	44	
R7,10,33,34,38, 39,68,69,71,72, 75,76,262,263, 278,281,282,326	-----	MCR03EZPJ220 22Ω 1/16W	R												10	10	
R8,9,11,14,15,17, 19,26,30,43,44, 46,47,52,53,55, 56,65,134,151, 153-156,172-176, 180-182,185-188, 202,204,208-210, 213,216,224-227, 229,230,240,245, 248,255,260,276, 277,279,287,300, 304,308-312,316- 320,325,327,347, 350,354,358,364, 366-368,500-520, 525-529	-----	MCR03EZPJ103 10KΩ 1/16W	R												1	1	
R12	-----	MCR03EZPJ102 1KΩ 1/16W	R												18	18	
R13,58,60,62, 111,116-119,139- 141,183,200,201, 220,221,223,234, 242,249,258,267, 272,291,349,352, 355,374-389,396, 521-524	-----	MCR03EZPJ102 1KΩ 1/16W	R												103	103	
R16,22,115,125, 126,313,314,390	-----	MCR03EZPJ681 680Ω 1/16W	R												0	1	
R20,23,27,32,40, 184,215,218,219, 251,253,257,270, 298,299,303,305,	-----	MCR03EZPJ000 0Ω 1/16W	R												49	49	
															8	8	
															37	37	

A: 4T-GS10/20-QP B: 4T-GS10/20-QQ C: 5T-TS12/22-QP D: 5T-TS12/22-QQ E: 4T-GS10-QQ-CCS F: 4T-GS10/20-QQ-US G: 5T-TS12/22-QQ-US  
 H: 4T-GS10/20-CN I: 5T-TS12/22-CN J: SP40II K: 4T-GS20-QM-R L: 5T-TS22-QM-R

Ref. No.	Part No.	Description	RoHS	Remarks	A	B	C	D	E	F	G	H	I	J	K	L	Recommended Parts
306,315,323,324, 329,333,335,337 351,359-361,363, 369,371,373,391- 393,530																	
R45,70,74,78,94, 95,110,120,196, 217,239,274,275, 294,301,321,334, 397	-----	MCR03EZPJ472 4.7KΩ 1/16W	R												18	18	
R54,164,222,235, 236,284,293,338	-----	MCR03EZPJ680 68Ω 1/16W	R												8	8	
R63,64,66,73, 261,268	-----	MCR03EZPPFX1002 10KΩ 1/16W	R												6	6	
R67	-----	MCR03EZPPFX1002 10KΩ 1/16W	R												0	1	
	-----	MCR03EZPPFX2202 22KΩ	R												1	0	
R77,177-179,237, 238,295,302	-----	MCR03EZPJ100 10Ω 1/16W	R												8	8	
R79	-----	MCR100JZHJ391 390Ω 1W	R												1	1	
R80-93	-----	MCR03EZPJ000 0Ω 1/16W	R												0	14	
R96-109	-----	MCR03EZPJ000 0Ω 1/16W	R												14	0	
R112	-----	MCR50JZHJ680 68Ω 1/2W	R												1	1	
R114,152,168,169, 339,394,395	-----	MCR25JZHJ000 0Ω 1/4W	R												7	7	
R121,167	-----	MCR03EZPPFX1202	R												2	2	
R122,123,211,212, 214,231,341-343, 370	-----	MCR03EZPJ151 150Ω 1/16W	R												10	10	
R130-133,170,171	-----	MCR25JZHJ221 220Ω 1/4W	R												6	6	
R136,137	-----	MCR03EZPJ182 1.8KΩ 1/16W	R												2	2	
R157,288,289	-----	MCR25JZHJ472 4.7KΩ 1/4W	R												3	3	
R158-161	-----	MCR03EZPJ680 68Ω 1/16W	R												0	4	
	-----	MCR03EZPJ820 82Ω 1/16W	R												4	0	
R162,163	-----	MCR03EZPJ820 82Ω 1/16W	R												2	2	
R165	-----	MCR03EZPJ470 47Ω 1/16W	R												0	1	
	-----	MCR03EZPJ560 56Ω 1/16W	R												1	0	
R189	-----	MCR50JZHJ332 3.3KΩ 1/2W	R												1	1	
R190-192	-----	MCR25JZHJ121 120Ω 1/4W	R												3	3	
R193	-----	MCR03EZPPFX1802 18KΩ	R	Changed 2/06											1	1	
R193,194,195	-----	MCR03EZPPFX2202 22KΩ	R												3	3	
															2	2	
R203	-----	MCR03EZPJ333 33KΩ 1/16W	R												1	1	
R205	-----	MCR03EZPPFX2702 27KΩ	R	Changed 2/06											1	1	
R205,206,207	-----	MCR03EZPPFX3302 33KΩ 1/16W	R												3	3	
															2	2	
R228	-----	MCR03EZPJ124 120KΩ 1/16W	R												1	1	
R232	-----	MCR03EZPJ682 6.8KΩ 1/16W	R												1	1	
R233	-----	MCR03EZPJ824 820KΩ 1/16W	R												1	1	
R241	-----	MCR03EZPJ100 10Ω 1/16W	R												0	1	

A: 4T-GS10/20-QP B: 4T-GS10/20-QQ C: 5T-TS12/22-QP D: 5T-TS12/22-QQ E: 4T-GS10-QQ-CCS F: 4T-GS10/20-QQ-US G: 5T-TS12/22-QQ-US  
 H: 4T-GS10/20-CN I: 5T-TS12/22-CN J: SP40II K: 4T-GS20-QM-R L: 5T-TS22-QM-R

Ref. No.	Part No.	Description	RoHS	Remarks	A	B	C	D	E	F	G	H	I	J	K	L	Recommended Parts
R243	-----	MCR03EZPJ822 8.2KΩ 1/16W	R												1	1	
R244,252	-----	MCR03EZPJ224 220KΩ 1/16W	R												2	2	
R256	-----	MCR100JZHF1500 150Ω 1W	R												1	1	
R280	-----	MCR03EZPJ560 56Ω 1/16W	R												1	1	
R283	-----	MCR10EZHJ103 10KΩ 1/10W	R												1	1	
R285	-----	MCR03EZPFX3002 30KΩ 1/16W	R												1	1	
R286	-----	MCR03EZPFX3900 390Ω 1/16W	R												1	1	
R290	-----	MCR03EZPFX2401 2.4KΩ 1/16W	R												1	1	
R322	-----	MCR03EZPJ331 330Ω 1/16W	R												1	1	
R331	-----	MCR03EZPFX1100 110Ω /16W	R												1	1	
R332	-----	MCR03EZPFX1800 180Ω 1/16W	R												1	1	
R336	-----	MCR03EZPFX1000 100Ω 1/16W	R												1	1	
R348,356,362	-----	MCR03EZPJ470 47Ω 1/16W	R												3	3	
		< MOF RSTR. >															
R113	-----	RSMF2TB102J 1KΩ 2W	R												1	1	
R124	-----	RSMF2TB330J 33Ω 2W	R												1	1	
		< RSTR. Array >															
RA1,4,5,8,11,12, 14,18,20,22,26,50	D0-23073001	RNA4A8E103JT 10KΩx8	R												12	12	
RA2,3,6,7,19,21, 23-25,27,28	D0-20268001	MNR14E0ABJ680 68Ωx4/D	R												11	11	
RA9,10,15,16	D0-20268001	MNR14E0ABJ680 68Ωx4/D	R												0	4	
RA13	D0-20361001	MNR14E0ABJ151 150Ωx4/D	R												1	1	
RA17	D0-20280001	MNR14E0ABJ103 10KΩx4/D	R												1	1	
RA29	D0-20289001	MNR14E0ABJ470 47Ωx4/D	R												1	1	
RA30	D0-20263001	MNR14E0ABJ101 100Ωx4/D	R												1	1	
		< CONN. >															
CN1	E0-08181000	57RE-40360-730B(D29A)-FA	R												1	1	
CN2	E0-08168000	17LE-13250-27(D4CK)-FA	R												1	1	
CN3	E0-07701000	DF11-18DP-2DSA(08) 18P	R												1	1	
CN4	E0-01071000	53014-0311 3P	R												1	1	
CN7	E0-08117000	FX8C-120P-SV6(91) 120P	R	Interchangeable											1	1	
	E0-08117001	FX8C-120P-SV6(92) 120P	R	Interchangeable													
CN11	E0-00615000	53014-0310 3P	R												1	1	
CN12	E0-00614000	53014-0210 2P	R												1	1	
CN13	E0-01613000	DF3A-2P-2DSA 2P	R												1	1	
CN14	E0-01616000	DF3A-8P-2DSA 8P	R												1	1	
CN15	E0-00621000	53014-0910 9P	R												1	1	
CN16	E0-00618000	53014-0610 6P	R												1	0	
	E0-01078000	53014-0612 6P	R												0	1	
CN17	E0-01611000	DF3A-14P-2DSA 14P	R												1	1	
CN18	E0-01964000	IL-S-2P-S2T2-EF 2P	R												1	1	
CN19	E0-05137000	5569-10A1 10P	R												1	1	
CN20	E0-00616000	53014-0410 4P	R												1	1	
CN23	E0-07702000	DF11-20DP-2DSA(08) 20P	R												1	1	
CN50	E0-05280000	DF3A-3P-2DSA 3P	R												1	1	
CN51	E0-07763000	53313-2465	R												1	1	

A: 4T-GS10/20-QP B: 4T-GS10/20-QQ C: 5T-TS12/22-QP D: 5T-TS12/22-QQ E: 4T-GS10-QQ-CCS F: 4T-GS10/20-QQ-US G: 5T-TS12/22-QQ-US  
 H: 4T-GS10/20-CN I: 5T-TS12/22-CN J: SP40II K: 4T-GS20-QM-R L: 5T-TS22-QM-R

Ref. No.	Part No.	Description	RoHS	Remarks	A	B	C	D	E	F	G	H	I	J	K	L	Recommended Parts
CN52	E0-07700000	DF11-16DP-2DSA(08) 16P	R												1	1	
CN53	E0-00645000	5267-02A-X 2P	R												1	1	
J1,2	E0-08740000	CONN. IMSA-9202B-1-02Z013-PT1	R												2	2	
F1, 2	E0-08941001	Fuse 0453002.MR	R												2	2	D
F3	E0-08942001	Fuse 045303.5MR	R												1	1	D
F5	E0-08943001	Fuse 0453.500MR	R												1	1	D
NF151	D0-05469001	Noise Filter NFM41CC223R2A3L	R												1	1	D
NF152	D0-05466001	Noise Filter NFM41PC204F1H3L	R												1	1	D
NF154	D0-07755001	Noise Filter BLM18PG600SN1D	R												1	1	D
TA1,2	C0-08787001	XISTOR. Array RN4605(TE85L F)	R												2	2	
X1	D0-14147001	Crystal CSTCV19M6X54J-R0	R												1	1	E
X2	D0-24988000	Crystal AT-49-7.3728MHZ-16P-50PPM													1	1	E
	7FM00019000	Shield Plate													1	1	

A: 4T-GS10/20-QP B: 4T-GS10/20-QQ C: 5T-TS12/22-QP D: 5T-TS12/22-QQ E: 4T-GS10-QQ-CCS F: 4T-GS10/20-QQ-US G: 5T-TS12/22-QQ-US  
 H: 4T-GS10/20-CN I: 5T-TS12/22-CN J: SP40II K: 4T-GS20-QM-R L: 5T-TS22-QM-R